



# ARIES

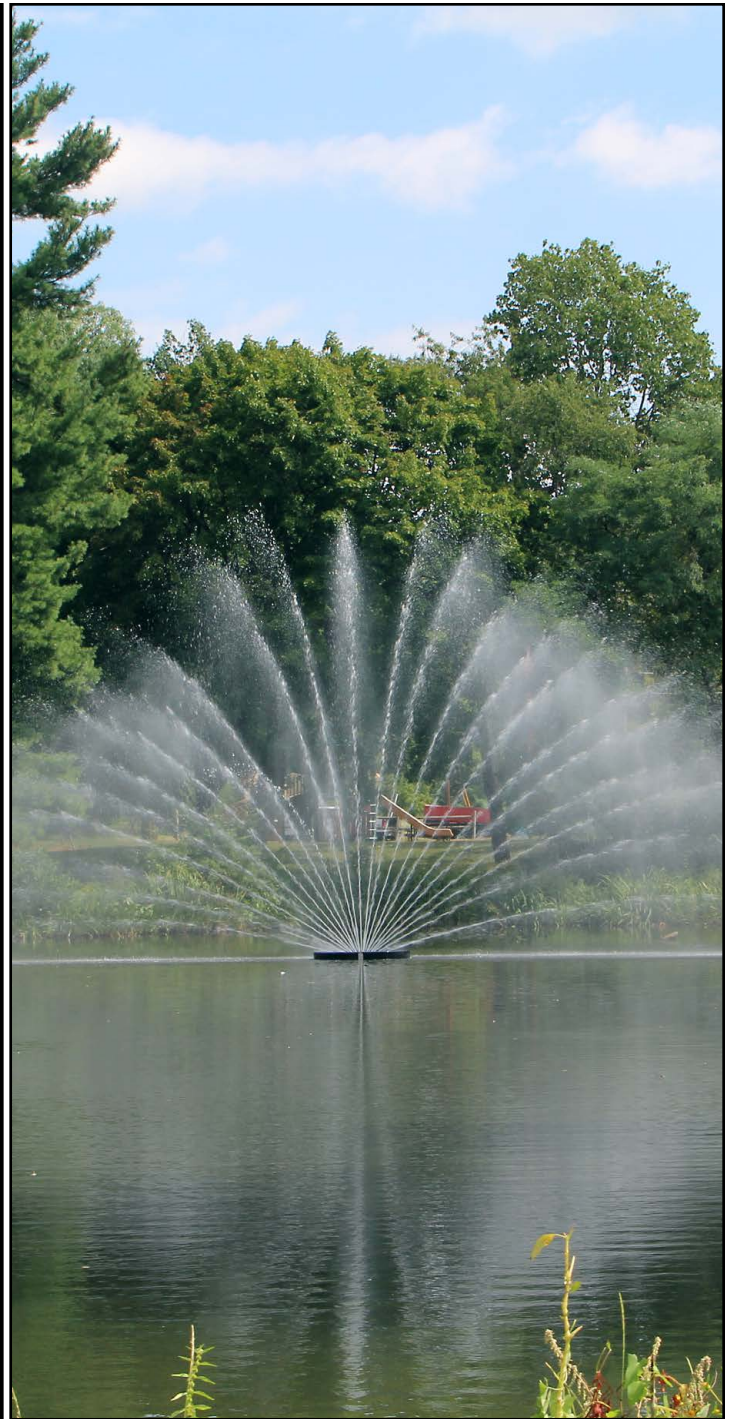
## GIANT FOUNTAIN

- » 4 year all-inclusive warranty, or 5 year warranty when purchased with Sub-Monitor controls.
- » Operates in 40in or 1m of water.
- » Complete package includes assembled unit, power control center, and cable. (No PCC for 50Hz)
- » Fiberglass power control center comes standard with surge arrestor, timer and GFCI. (Exception: Optional EPD for 460V)
- » Cable quick disconnect. (Optional for 60Hz)
- » Wheeled launching system ends the need for hoists and cranes in most applications.
- » Removable screen protects pump from debris, and is easy to clean from the water.
- » Safety tested and listed with ETL, and ETL-C, conforming to UL standards; and carries a CE certification.
- » Optional accessories include Fountain Glo™ LED or 250W, 500W halogen light systems; wind controls, and power monitoring Sub-Monitor.

| 60 HZ                    | 10 HP                            | 15 HP                            | 25 HP                |
|--------------------------|----------------------------------|----------------------------------|----------------------|
| Spray Height (ft)        | 27                               | 30                               | 37                   |
| Spray Diam. (ft)         | 85 x 2                           | 101 x 2                          | 121 x 2              |
| GPM                      | 300                              | 390                              | 500                  |
| Volt/Ph/Amp<br>3450@60hz | 230/1/47<br>230/3/30<br>460/3/15 | 230/1/67<br>230/3/44<br>460/3/22 | 230/3/70<br>460/3/35 |

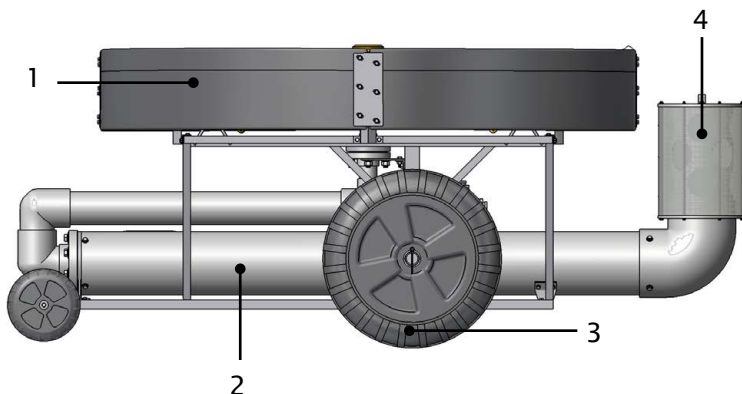
Product specifications and CADs can be found online through [www.otterbine.com](http://www.otterbine.com) or [www.caddetails.com](http://www.caddetails.com).

www.otterbine.com



Manufactured by: Otterbine® Barebo, Inc. | 3840 Main Road East | Emmaus, PA 18049 U.S.A | PH: 610-965-6018 | Email: [info@otterbine.com](mailto:info@otterbine.com)

### PRODUCT ILLUSTRATION



1. Special polyethylene float allows for easy height adjustment to make it less visible in the water.
2. High quality Grundfos pump and Franklin 3450/2875 RPM motor ensure years of corrosion-resistant, trouble-free run time and no maintenance.
3. Large center wheels assist installation and removal eliminating the need for a crane in most applications.
4. Removable stainless steel intake screen allows for cleaning in the water and protects pump from debris.

Dimensions: 10HP & 15HP = 100in (254cm) x 74in (188cm) x 40in (102cm); 25HP: 120in (305cm) x 90in (229cm) x 40in (102cm) Minimum operating depth is 40in or 1m, with and without lights. See [www.otterbine.com](http://www.otterbine.com) for package details.