

# Purely Beautiful **WATERWAYS**



## **PARTS & EXPLODED VIEWS**

Contact an Otterbine Dealer for Pricing.

[www.otterbine.com](http://www.otterbine.com)



2023 Parts Book

## **AERATOR & FOUNTAIN REPLACEMENT PARTS**

REPLACEMENT PARTS AND CABLE FOR OTTERBINE AERATORS, FOUNTAINS & LIGHTS SETS.

Enhance the environment. Offer your customer the best in aerator and fountain systems.

QUESTIONS? CALL US! PH: 1-800-237-8837 (USA) or 610-965-6018  
EMAIL ORDERS TO: [orders@otterbine.com](mailto:orders@otterbine.com) | FAX ORDERS TO: 484-550-6677



## Ordering:

Orders must be received from Otterbine distributors in email or faxed form, and an acknowledgment will be emailed or faxed for every order. Please review for accuracy. All orders to include quantity, Otterbine part number and description, as well as the total length of power cable required if applicable.

**Email:** [orders@otterbine.com](mailto:orders@otterbine.com)

**Fax:** 484-550-6677

## Drop Shipments:

All Drop Shipment requests require contact information for the delivery site. This includes name of contact and contact phone number for delivery.

## Freight:

Freight is “Prepaid & Add”, FOB Emmaus, PA on all shipments, unless otherwise negotiated. Additional fees apply for Lift Gate, Notification Prior to Delivery, and Residential Delivery.

## Product Returns:

Contact Otterbine for a Return Authorization Number for goods being returned to the factory for any reason. All returns must be pre-approved and are subject to a restock fee, refer to Distributor Policy. Custom products are not eligible for return. Product must be returned freight prepaid.

## Parts Warranty:

Parts receive a 90-day warranty after installation.  
**Exceptions:** 1/2HP Power Units & Replacement PCC's receive a 1-year warranty; 1HP-5HP Power Units receive a 2-year warranty. *\*Power units used with PCC's 12 years or older receive 90-day warranty.*

## TABLE OF CONTENTS

### Parts List for Otterbine Systems

2	Cable
2	S/S Shielded Cable
3	Pigtails & Pigtail Accessories
3	Splice Kits
4	Cable Protection
4	Maintenance Kits & Oil
4	Zinc Anode Kits
5-10	Concept 3 Parts
11-18	Concept 3 Exploded Views
19-25	Concept 2 Parts
26-30	Concept 2 Exploded Views
31-32	Fractional Series Parts
33-34	Fractional Series Exploded Views
35-36	Air Flo 3 Parts
37-39	Giant Fountain Parts (2nd Gen)
40-42	Fountain Glo Light Parts
43	MR16 Lights Exploded View
44-51	Electrical/PCC Parts (All Products)
52-55	PCC Exploded Views (1HP-5HP PCC)
56	Air Flo 2 Parts (Discontinued Product)



Otterbine® Barebo, Inc.  
3840 Main Road East  
Emmaus, PA 18049 U.S.A.

PH: 610-965-6018 | Fax: 484-550-6677

Email: [orders@otterbine.com](mailto:orders@otterbine.com)

Web: [www.otterbine.com](http://www.otterbine.com)

Made in the U.S.A.

Follow us online at:



Visit [Otterbine's Distributor Dashboard](http://www.otterbine.com) at [www.otterbine.com](http://www.otterbine.com) to access price lists & other valuable resources!

CABLE | STAINLESS STEEL SHIELDED CABLE | PIGTAIL/VULCANIZATION FOR CABLE ASSEMBLIES



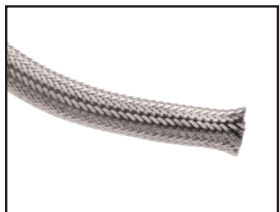
Raw Cable

**TIP: REPLACEMENT CABLE ASSEMBLIES**

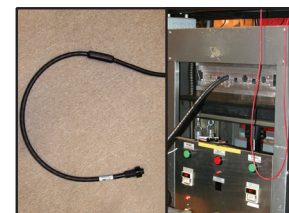
When replacing cable in the field and you want it to include the plug/pigtail attached to the cable.

ORDER:

RAW CABLE  
(or S/S SHIELDED CABLE)  
&  
PIGTAIL/VULCANIZATION



Stainless Steel Cable Shielding (applied to Raw Cable for S/S Shielded Cable)



Pigtail

Vulcanizer

**RAW CABLE**

DOES NOT INCLUDE PIGTAIL

Must be ordered in 25ft/7.5m increments.

Part Number	Description
957-001	CABLE POWER 12/3 1Ph
957-009	CABLE POWER 10/3 1Ph
34-0002	CABLE POWER 8/3 1Ph
34-0004	CABLE POWER 6/3 1Ph
957-002	CABLE POWER 12/4 3Ph
957-010	CABLE POWER 10/4 3Ph
34-0003	CABLE POWER 8/4 3Ph
34-0005	CABLE POWER 6/4 3Ph
34-0007	CABLE POWER 4/4 3Ph
GP3999	CABLE 12/3 LIGHTS/FRACTIONAL
34-0011	CABLE 16/2 LED/MIDI/WIND CTRLS
34-0019	CABLE 12/5 1Ph MAXI-RGBW LIGHT
34-0021	CABLE 10/5 1Ph MAXI-RGBW LIGHT

**S/S SHIELDED CABLE (RAW CABLE + S/S SHIELDING)**

DOES NOT INCLUDE PIGTAIL

Must be ordered in 25ft/7.5m increments.

Part Number	Description
34-0060-123SO	SHIELDING & CABLE 12/3
34-0060-103SO	SHIELDING & CABLE 10/3
34-0060-083SO	SHIELDING & CABLE 8/3
34-0060-124SO	SHIELDING & CABLE 12/4
34-0060-104SO	SHIELDING & CABLE 10/4
34-0060-084SO	SHIELDING & CABLE 8/4
34-0060-125SO	SHIELDING & CABLE 12/5
34-0060-123SJ	SHIELDING & CABLE 12/3 FRAC/LT
34-0060-162SJ	SHIELDING & CABLE 16/2

**VULCANIZATION/SPLICE WITH PIGTAIL**

USED FOR CABLE ASSEMBLIES

ONLY USE when ordering a replacement cable assembly (ie with raw cable. or St/St braided Cable.) Ships complete with pigtail and factory vulcanization or splice, plus cable strain relief where applicable.

**Product Lines: 1/2HP-5HP Units & Lighting Systems**

Part Number	Description
08-0020-001	PIGTAIL/VULCAN 12/3&10/3 4PIN
08-0020-003	PIGTAIL/VULCAN 8/3 4PIN
08-0020-015	PIGTAIL/VULCAN 6/3 4PIN
08-0020-004	PIGTAIL/VULCAN 8/3 5HP1PH 3PIN
08-0020-008	PIGTAIL/VULCAN 6/3 5HP1PH 3PIN
08-0020-002	PIGTAIL/VULCAN 12/4&10/4 4PIN
08-0020-005	PIGTAIL/VULCAN 8/4 4PIN
08-0020-018	PIGTAIL/SPLICE 6/4 C2/C3 4PIN
08-0020-017	PIGTAIL/VULC 12/3 FRC/LTS 3PN
17-0077	PIGTAIL/VULCAN 16-12/2LTS 2PIN
08-0020-019	PIGTAIL/VULCAN 12/5&10/5 RGBW

**VULCANIZATION/SPLICE WITH PIGTAIL**

USED FOR CABLE ASSEMBLIES

ONLY USE when ordering a replacement cable assembly (ie with raw cable. or St/St braided Cable.) Ships complete with pigtail and factory vulcanization or splice, plus cable strain relief where applicable.

**Product Line: Giant Fountains (10HP-25HP)**

Part Number	Description
08-0036-104	PIGTAIL/SPLICE 10/4 10HP460 QD
08-0036-084	PIGTAIL/SPLICE 8/4 10HP460 QD
08-0037-084	PIGTAIL/SPLICE 8/4 GF QD
08-0037-064	PIGTAIL/SPLICE 6/4 GF QD
08-0037-044	PIGTAIL/SPLICE 4/4 GF QD

**PIGTAILS**

Giant Fountain Pigtails are found within their product lines.

Part Number	Description
35-0010	PIGTAIL C2/C3 HEAVY DUTY 4 PIN
35-0011	PIGTAIL C3 5HP/1Ph ONLY 3 PIN
MP6511	PIGTAIL FRAC/IF/LITES 3PIN
35-0014	PIGTAIL LIGHTS LED/MIDI 2PIN
MP6514	REVERSE PIGTAIL 2PIN SPLITTER
GP1721	PIGTAIL SEQUENCER 5PIN
35-0030	PIGTAIL MALE 16/5 5-PIN
35-0012	CE PIGTAIL C2/C3 12/4HARM
35-0019	CE PIGTAIL 12/3 FRACTIONAL



Pigtail

**PIGTAIL ACCESSORIES**

Part Number	Description
12-0065	KIT PIGTAIL NUT w/NYLON WASHER
MP6512	PIGTAIL NUT 3 PIN SMALL
MP6513	PIGTAIL WASHER 3 PIN SMALL
178-017	PROTECTOR PIGTAIL C2/C3
GP1225	PROTECTR PIGTAIL LED/Frac/RGBW
178-027	PROTECTOR PIGTAIL GF 3ph ONLY
35-0021	4 PIN PIGTAIL EXTENSION C3/C2
35-0027	3 PIN PIGTAIL EXTENSION 5HP1Ph



Pigtail Protector

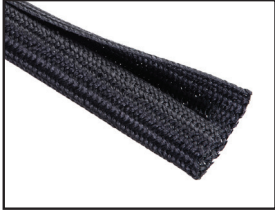
**SPLICE KITS**

Giant Fountain Splice Kits are found within their product line.

Part Number	Description
614-017	SPLICE KIT LG 1"MAX 12/10/8awg
12-0039	SPLICE KIT 6awg (ALL)
614-016	SPLICE KIT SM 12/3 LIGHT/Frac
12-0049	SPLICE KIT 16/2 LOW VOLT (12V)
12-0073	SPLICE KIT 12/3 LOW VOLT (12V)



Splice Kits



Polymer Cable Wrap  
(Field Applied)

## CABLE PROTECTION

These options are available to protect power cable from abrasions.

### Cable Wrap (Field Apply)

- Cable wrap is sold by the foot (30cm) and can be applied in the field.
  - 3/8" Cable Wrap used with: 16/2 Light Cable, 12/3 Fractional & Light SJOW Cable, and 16/5 SOOW cable
  - 5/8" Cable Wrap used with: 12/5, 12/4, 12/3, 10/3, 10/4 and 8/3 Cable

Part Number	Description
35-0033	CABLE WRAP 5/8" POLY SHIELD
35-0032	CABLE WRAP 3/8" POLY SHIELD

### Cable Shielding (MR16 Splitter Assemblies)

- Stainless Steel & Polywrap Shield Kits available for our LED/MR16 Splitter Assemblies. These are purchased IN ADDITION to the splitter assemblies found on page 40.

Part Number	Description
12-0814-022	KIT SS SHIELD 2-WAY SPLTR
12-0814-023	KIT SS SHIELD 3-WAY SPLTR
12-0814-024	KIT SS SHIELD 4-WAY SPLTR
12-0814-025	KIT SS SHIELD 4-WAY GF SPLTR
12-0814-026	KIT SS SHIELD 6-WAY SPLTR
12-0815-022	KIT POLY SHIELD 2-WAY SPLTR
12-0815-023	KIT POLY SHIELD 3-WAY SPLTR
12-0815-024	KIT POLY SHIELD 4-WAY SPLTR
12-0815-025	KIT POLY SHIELD 4-WAY GF SPLTR
12-0815-026	KIT POLY SHIELD 6-WAY SPLTR



Otterbine Oil

## MAINTENANCE KITS & OIL

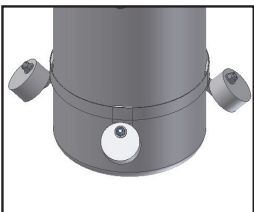
Quantity Discounts Offered On Maintenance Kits ONLY: 10-19 Receive 10% ; 20-49 Receive 14%; 50+ Receive 17%

Part Number	Description
12-0077	MAINTENANCE KIT C3 1-5HP/OIL
C2-MKIT	MAINTENANCE KIT C2 1-5HP/OIL
667-002-008	OIL AERATOR 2 GALLON IN PAIL
667-002-220	OIL AERATOR IN 55 GALLON DRUM
12-0028	SERVICE KIT COMPRESSOR AF3 GST
12-0218	SERVICE KIT COMPRESSOR AF3 TN
12-0017	SERVICE KIT,COMPRESSOR AIRFLO2

## ZINC ANODE KITS

Zinc Anode kits are used on units placed in brackish and corrosive environments.

Part Number	Description
12-0122	KIT C3 UNIT 4 ZINC ANODES
614-027	ZINC SHAFT ANODE C2 & C3 NO HV
614-029	ZINC SHAFT ANODE C2 HIGHVOLUME
12-0120	KIT C2 UNIT ARMS 3 ZINC ANODES
12-0121	KIT TRITON 4 ZINC ANODES
12-0130	KIT FS UNIT 3 ZINC ANODES
614-028	KIT ZINC ANODE REPLACEMENT

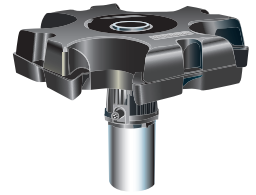


C3 Zinc Anode Kit

**CONCEPT 3 PARTS**

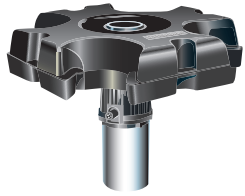
Electrical/PCC Parts are on pages 44-47

Exploded Part views are on pages 11-18



Part Number	Description
10-0008	THROAT ASSY EQUINOX C3
10-0053	THROAT ASSEMBLY OMEGA C3
10-0060	THROAT ASSY C3
10-0062	FLOW DIVERTER ASSY PHX/TRI C3
10-0065	LOWER PUMP CHAMBER ASSY C3
10-0068	NOZZLE C3&AFL GEN/CON/OM/VE/OR
10-0069	FLOW DIVERTER ASSY CONSTELL C3
10-0073	THROAT ASSY GENESIS C3
12-0001	SEAL KIT C3 OPEN HUB & ROTARY
12-0052	SEAL KIT,C3,G SEAL w/METAL HUB
12-0053	SEAL KIT, C3 W/ GROOVED SHAFT
12-0054	SEAL KIT C3 STEP SHAFT MOTOR
12-0056	KIT STANDOFF w/ HARDWARE C3
12-0065	KIT PIGTAIL NUT w/NYLON WASHER
12-0067	MTR BASE PLATE C3 ANGLED 4PIN
12-0068	MTR BASE PLATE C3 ANGLD 5HP1PH
12-0071	HARDWARE KIT FLOAT DETACHED C3
12-0075	SCREEN KIT 1/4" C3 DECORATIVE
12-0076	SCREEN KIT 1/2" C3 SNB/GEM/SAT
12-0097	STABILIZER PLATES KIT COMET C3
12-0105	MOUNT KIT GENESIS THROAT ASSY
12-0122	KIT C3 UNIT 4 ZINC ANODES
12-0135	KIT, C3 3HP 1Ph CAP w/BUSHINGS
12-0136	KIT, C3 5HP 1Ph CAP w/BUSHINGS
15-0024	CAPACITOR/START SWITCH 1HP C3
15-0025	CAPACITOR/START SWITCH 2HP C3
16-0100-116	POWER UNIT C3 1HP 115/1/60
16-0100-215	POWER UNIT C3 1HP 220/1/50
16-0100-216	POWER UNIT C3 1HP 230/1/60
16-0200-215	POWER UNIT C3 2HP 220/1/50
16-0200-216	POWER UNIT C3 2HP 230/1/60
16-0300-215	POWER UNIT C3 3HP 220/1/50
16-0300-216	POWER UNIT C3 3HP 230/1/60
16-0300-236	POWER UNIT C3 3HP 230/3/60
16-0300-335	POWER UNIT C3 3HP 380/3/50
16-0300-336	POWER UNIT C3 3HP 380/3/60
16-0300-435	POWER UNIT C3 3HP 415/3/50
16-0300-436	POWER UNIT C3 3HP 460/3/60
16-0500-216	POWER UNIT C3 5HP 230/1/60
16-0500-236	POWER UNIT C3 5HP 230/3/60

## CONCEPT 3 PARTS

**CONCEPT 3 PARTS**

Electrical/PCC Parts are on pages 44-47

Exploded Part views are on pages 11-18

Part Number	Description
16-0500-335	POWER UNIT C3 5HP 380/3/50
16-0500-336	POWER UNIT C3 5HP 380/3/60
16-0500-435	POWER UNIT C3 5HP 415/3/50
16-0500-436	POWER UNIT C3 5HP 460/3/60
16-0500-536	POWER UNIT C3 5HP 575/3/60
17-0085	LEVEL CONTROL LOW WATER 15FT
178-017	PROTECTOR PIGTAIL C2/C3
19-0001-150	SUNBURST CHAMBER C3 1HP 50Hz
19-0001-160	SUNBURST CHAMBER C3 1HP 60Hz
19-0001-250	SUNBURST CHAMBER C3 2HP 50Hz
19-0001-260	SUNBURST CHAMBER C3 2HP 60Hz
19-0001-350	SUNBURST CHAMBER C3 3HP 50Hz
19-0001-360	SUNBURST CHAMBER C3 3HP 60Hz
19-0001-550	SUNBURST CHAMBER C3 5HP 50Hz
19-0001-560	SUNBURST CHAMBER C3 5HP 60Hz
19-0002-150	ROCKET CHAMBER C3 1HP 50Hz
19-0002-160	ROCKET CHAMBER C3 1HP 60Hz
19-0002-250	ROCKET CHAMBER C3 2HP 50Hz
19-0002-260	ROCKET CHAMBER C3 2HP 60Hz
19-0002-350	ROCKET CHAMBER C3 3HP 50Hz
19-0002-360	ROCKET CHAMBER C3 3HP 60Hz
19-0002-550	ROCKET CHAMBER C3 5HP 50Hz
19-0002-560	ROCKET CHAMBER C3 5HP 60Hz
19-0003-150	PHOENIX CHAMBER C3 1HP 50Hz
19-0003-160	PHOENIX CHAMBER C3 1HP 60Hz
19-0003-250	PHOENIX CHAMBER C3 2HP 50Hz
19-0003-260	PHOENIX CHAMBER C3 2HP 60Hz
19-0003-350	PHOENIX CHAMBER C3 3HP 50Hz
19-0003-360	PHOENIX CHAMBER C3 3HP 60Hz
19-0003-550	PHOENIX CHAMBER C3 5HP 50Hz
19-0003-560	PHOENIX CHAMBER C3 5HP 60Hz
19-0004-150	TRI-STAR CHAMBER C3 1HP 50Hz
19-0004-160	TRI-STAR CHAMBER C3 1HP 60Hz
19-0004-250	TRI-STAR CHAMBER C3 2HP 50Hz
19-0004-260	TRI-STAR CHAMBER C3 2HP 60Hz
19-0004-350	TRI-STAR CHAMBER C3 3HP 50Hz
19-0004-360	TRI-STAR CHAMBER C3 3HP 60Hz
19-0004-550	TRI-STAR CHAMBER C3 5HP 50Hz
19-0004-560	TRI-STAR CHAMBER C3 5HP 60Hz



**CONCEPT 3 PARTS**

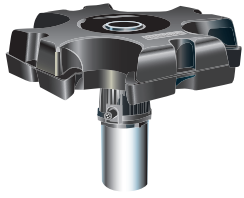
Electrical/PCC Parts are on pages 44-47

Exploded Part views are on pages 11-18



Part Number	Description
19-0005-150	GEMINI CHAMBER C3 1HP 50Hz
19-0005-160	GEMINI CHAMBER C3 1HP 60Hz
19-0005-250	GEMINI CHAMBER C3 2HP 50Hz
19-0005-260	GEMINI CHAMBER C3 2HP 60Hz
19-0005-350	GEMINI CHAMBER C3 3HP 50Hz
19-0005-360	GEMINI CHAMBER C3 3HP 60Hz
19-0005-550	GEMINI CHAMBER C3 5HP 50Hz
19-0005-560	GEMINI CHAMBER C3 5HP 60Hz
19-0011-150	OMEGA CHAMBER C3 1HP 50Hz
19-0011-160	OMEGA CHAMBER C3 1HP 60Hz
19-0011-250	OMEGA CHAMBER C3 2HP 50Hz
19-0011-260	OMEGA CHAMBER C3 2HP 60Hz
19-0011-350	OMEGA CHAMBER C3 3HP 50Hz
19-0011-360	OMEGA CHAMBER C3 3HP 60Hz
19-0011-550	OMEGA CHAMBER C3 5HP 50Hz
19-0011-560	OMEGA CHAMBER C3 5HP 60Hz
19-0012-150	COMET CHAMBER C3 1HP 50Hz
19-0012-160	COMET CHAMBER C3 1HP 60Hz
19-0012-250	COMET CHAMBER C3 2HP 50Hz
19-0012-260	COMET CHAMBER C3 2HP 60Hz
19-0012-350	COMET CHAMBER C3 3HP 50Hz
19-0012-360	COMET CHAMBER C3 3HP 60Hz
19-0012-550	COMET CHAMBER C3 5HP 50Hz
19-0012-560	COMET CHAMBER C3 5HP 60Hz
19-0013-150	SATURN CHAMBER C3 1HP 50Hz
19-0013-160	SATURN CHAMBER C3 1HP 60Hz
19-0013-250	SATURN CHAMBER C3 2HP 50Hz
19-0013-260	SATURN CHAMBER C3 2HP 60Hz
19-0013-350	SATURN CHAMBER C3 3HP 50Hz
19-0013-360	SATURN CHAMBER C3 3HP 60Hz
19-0013-550	SATURN CHAMBER C3 5HP 50Hz
19-0013-560	SATURN CHAMBER C3 5HP 60Hz
19-0014-150	CONSTELL CHAMBER C3 1HP 50Hz
19-0014-160	CONSTELL CHAMBER C3 1HP 60Hz
19-0014-250	CONSTELL CHAMBER C3 2HP 50Hz
19-0014-260	CONSTELL CHAMBER C3 2HP 60Hz
19-0014-350	CONSTELL CHAMBER C3 3HP 50Hz
19-0014-360	CONSTELL CHAMBER C3 3HP 60Hz
19-0014-550	CONSTELL CHAMBER C3 5HP 50Hz

## CONCEPT 3 PARTS

**CONCEPT 3 PARTS**

Electrical/PCC Parts are on pages 44-47

Exploded Part views are on pages 11-18

Part Number	Description
19-0014-560	CONSTELL CHAMBER C3 5HP 60Hz
19-0016-150	GENESIS CHAMBER C3 1HP 50Hz
19-0016-160	GENESIS CHAMBER C3 1HP 60Hz
19-0016-250	GENESIS CHAMBER C3 2HP 50Hz
19-0016-260	GENESIS CHAMBER C3 2HP 60Hz
19-0016-350	GENESIS CHAMBER C3 3HP 50Hz
19-0016-360	GENESIS CHAMBER C3 3HP 60Hz
19-0016-550	GENESIS CHAMBER C3 5HP 50Hz
19-0016-560	GENESIS CHAMBER C3 5HP 60Hz
19-0028-150	EQUINOX CHAMBER C3 1HP 50Hz
19-0028-160	EQUINOX CHAMBER C3 1HP 60Hz
19-0028-250	EQUINOX CHAMBER C3 2HP 50Hz
19-0028-260	EQUINOX CHAMBER C3 2HP 60Hz
19-0028-350	EQUINOX CHAMBER C3 3HP 50Hz
19-0028-360	EQUINOX CHAMBER C3 3HP 60Hz
19-0028-550	EQUINOX CHAMBER C3 5HP 50Hz
19-0028-560	EQUINOX CHAMBER C3 5HP 60Hz
20-0009	RIVET S/S C3 THROAT
20-0010	RIVET S/S 3/16"
21-0004	CLAMP 1" PLASTIC 2 HOLE PIPE
22-0019	BOLT HEX S/S M8x20
22-0020	BOLT HEX S/S M8x30 SELF-SEALNG
22-0022	BOLT HEX S/S M8x45
22-0024	BOLT CARRIAGE C3 DECORATIVE
22-0025	BOLT HEX S/S M8x35 SELF-SEALNG
22-0027	EYEBOLT S/S 5/16-18x1 375"THRD
24-0010	SCREW PAN PHIL S/S M4x16
24-0013	SCREW HEX S/S M5x50 FULL THRD
24-0014	SCREW FLATHD S/S #8x1 SELF-TAP
24-0015	SCREW SET S/S M8x8 CUP POINT
25-0011	SCREW PAN PH TAPTITE 4-40x1/2"
26-0006	NUT NYLON LOCK 316S/S M5
26-0007	NUT NYLON LOCK 316S/S M8
28-0004	WASHER,FLAT 18-8SS C3 "G" SEAL
28-0008	WASHER FENDER S/S 5/16" M8
28-0014	WASHER FLAT S/S M4
28-0015	WASHER SPLIT LOCK S/S M4
28-0016	WASHER FLAT S/S M5
28-0017	WASHER SPLIT LOCK S/S M5

**CONCEPT 3 PARTS**

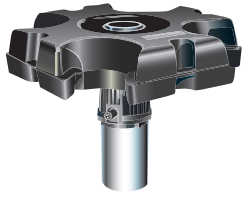
Electrical/PCC Parts are on pages 44-47

Exploded Part views are on pages 11-18



Part Number	Description
28-0018	WASHER FLAT S/S 5/16" M8
28-0019	WASHER SPLIT LOCK S/S M8 5/16
28-0034	WASHER C3 SEAL SPACER
30-0029-110	MOTOR 1HP 1Ph C3
30-0029-210	MOTOR 2HP 1Ph C3
30-0029-311	MOTOR 3HP 1Ph C3 w/BUSHINGS
30-0029-330	MOTOR 3HP 3Ph C3
30-0029-511	MOTOR 5HP 1Ph C3 w/BUSHINGS
30-0029-530	MOTOR 5HP 3Ph C3
30-0029-535	MOTOR 5HP 575V 3Ph C3
33-0028-001	CONNECTOR INSULATED CRIMP SML
33-0028-002	CONNECTOR INSULATED CRIMP MED
33-0028-003	CONNECTOR INSULATED CRIMP LG
33-0031	CONNECTOR BUTT 8awg non-insul
35-0010	PIGTAIL C2/C3 HEAVY DUTY 4 PIN
35-0011	PIGTAIL C3 5HP/1Ph ONLY 3 PIN
35-0012	CE PIGTAIL C2/C3 12/4HARM
35-0021	4 PIN PIGTAIL EXTENSION C3/C2
35-0027	3 PIN PIGTAIL EXTENSION 5HP1Ph
36-0005	CAPACITOR C3 3HP & 5HP +
36-0009	BEARING TOP ALL C3 FRANKLIN
36-0010	BEARING BOTTOM allC3 C2 FRNKLN
40-0099	SHIM IMPELLER C2/C3 DPC S/S
40-0107	SPACER IMPELR 5HP60/3&5HP50 C3
40-0115	BRACKET STABILIZER PLATE COMET
41-0104	DIFFUSER PLATE ROCKET C3
41-0105	DIFFUSER PHOENIX C3
41-0106	DIFFUSER TRI-STAR C3
41-0108	PIPE TRI-STAR DIFFUSER C3
41-0123	DIFFUSER PLATE COMET C3
41-0127	PLATE STABILIZER COMET C3
41-0280	BUSHING 2"CPVC x 1/2"CAPACITOR
42-0015	SEAL HUB C3
42-0018	FLOAT BLACK C3
42-0019	SUNBURST/SATURN RING C3
42-0020	CAN RING C3
42-0023	UPPER PUMP CHAMBER C3
42-0032	DIFFUSER CONSTELLATION C3
42-0048	FLOAT SUPPLEMENTAL BLACK C3

## CONCEPT 3 PARTS

**CONCEPT 3 PARTS**

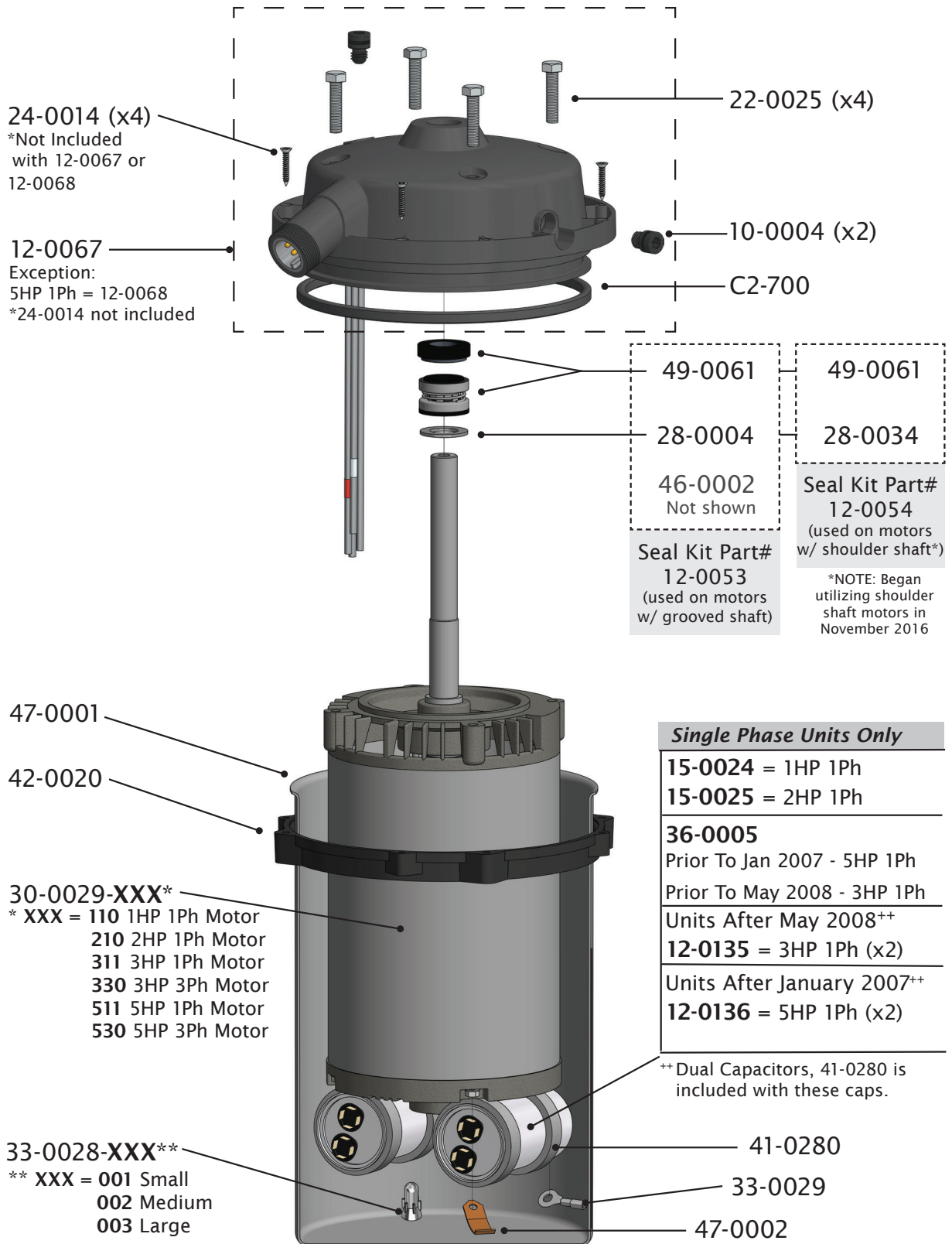
Electrical/PCC Parts are on pages 44-47

Exploded Part views are on pages 11-18

Part Number	Description
42-0051	SEAL HUB, C3 OPEN SINGLE SEAL
42-0052	SEAL HUB, C3 METAL LOW PROFILE
46-0002	SEAL RETAINING RING C3 SHAFT
46-0051	TY-RAP LARGE C3/AIRFLO/GF
46-0105-125	PLUG C3 SEAL HUB S/S
46-0106	TY-RAP SMALL
46-0107	CLAMP C3 CE PIGTAIL/CBL SHIELD
47-0001	HOUSING MOTOR SS C2 & C3
47-0002	GROUND CLIP C2 & C3 MOTOR
47-0003	SLINGER DISC 1-5HP C3 SNB/GEM
47-0020	SLINGER C3 SEAL HUB RUBBER
49-0012	SEAL, C3 DBL ROTARY CLOSED HUB
49-0013	O-RING SEAL HUB C3
49-0015	O-RING THROAT/PATTERN C3
49-0017	O-RING TRI-STAR C3
49-0038	O-RING MOTOR BASE PLATE C3
49-0041	SEAL, C3 3/4" ROTARY OPEN HUB
49-0061	SEAL, C3 TYPE G ROTARY
50-0010-001	IMPELLR DEC 1HP60Hz C3
50-0010-002	IMPELLR DEC 2HP60Hz/1HP50Hz C3
50-0010-003	IMPELLR DEC 3HP60Hz/2HP50Hz C3
50-0010-005	IMPLR DEC 5HP60Hz/3&5HP50Hz C3
50-0012-001	IMPELLER SNB/GEM 1HP60Hz C3
50-0012-002	IMPELLR SNB/GEM 2HP60/1HP50 C3
50-0012-003	IMPELLR SNB/GEM 3HP60/2HP50 C3
50-0012-005	IMPELLR SNB/GEM 5HP60/3HP50 C3
50-0012-055	IMPELLER SNB/GEM 5HP50Hz C3
614-025	STRAIN RELIEF DEVICE
614-027	ZINC SHAFT ANODE C2 & C3 NO HV
614-028	KIT ZINC ANODE REPLACEMENT
614-029	ZINC SHAFT ANODE C2 HIGHVOLUME
97-0004	DIPSTICK, PAPER MAINT KIT
97-0005	DIPSTICK, SS TOOLS METAL
F-LEVEL-HIGH	LEVEL CONTROL HIGH WATER 15FT
F-LEVEL-LOW	LEVEL CONTROL LOW WATER 15FT
F-W-KIT	INSTALL KIT 2 DUCKBILL ANCHORS
JP5005*10	CABLE S/S MOORING 1/8"QTY 10FT
JP5007	THIMBLE S/S FOR 1/8" CABLE

**POWER UNIT**

MOLDED SEAL HUB  
 ANGLED MOTOR BASE PLATE  
 (Units June 2014 - Current)



NOTE: (2) Ty-raps per capacitor BP2874\*10

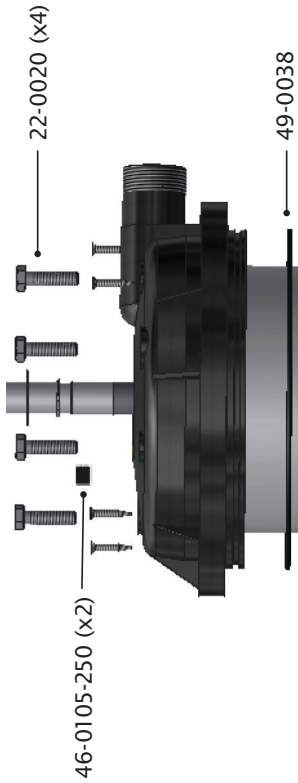
Can be purchased as complete power unit - see part numbers on page 5

Part Numbers with Pricing can be found sequential on pages 4-10

**SEAL HUBS (PRIOR TO JUNE 2014)**

All part numbers listed in these drawings are still available.

**MOTOR BASE PLATE  
(Units Prior to June 2014)**

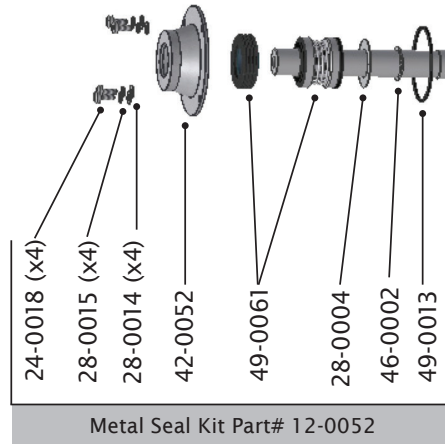


**NOTE:** The above motor base plate is discontinued and no longer available.

Units with Metal Seal Hub's can easily retrofit to the new Angled Motor Base Plate with Molded Seal Hub, for older units please contact the factory for your options.

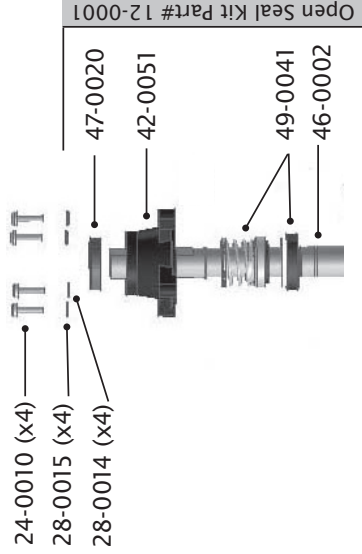
**METAL SEAL HUB +**

**(Units March 2010 - May 2014)**



Metal Seal Kit Part# 12-0052

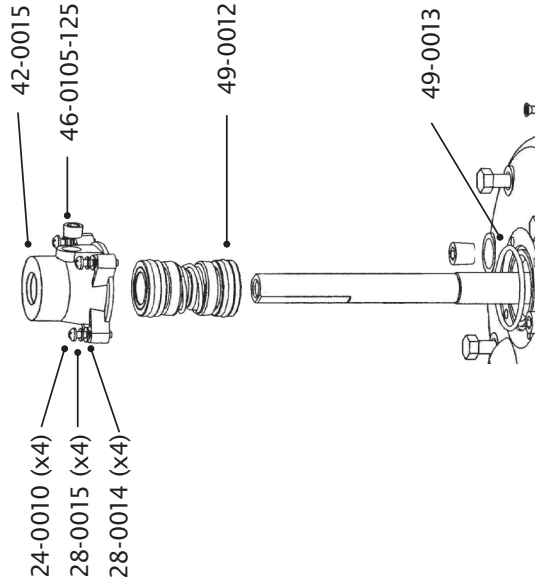
**OPEN SEAL HUB +  
(Units 2007 - March 2010)**



Open Seal Kit Part# 12-0001

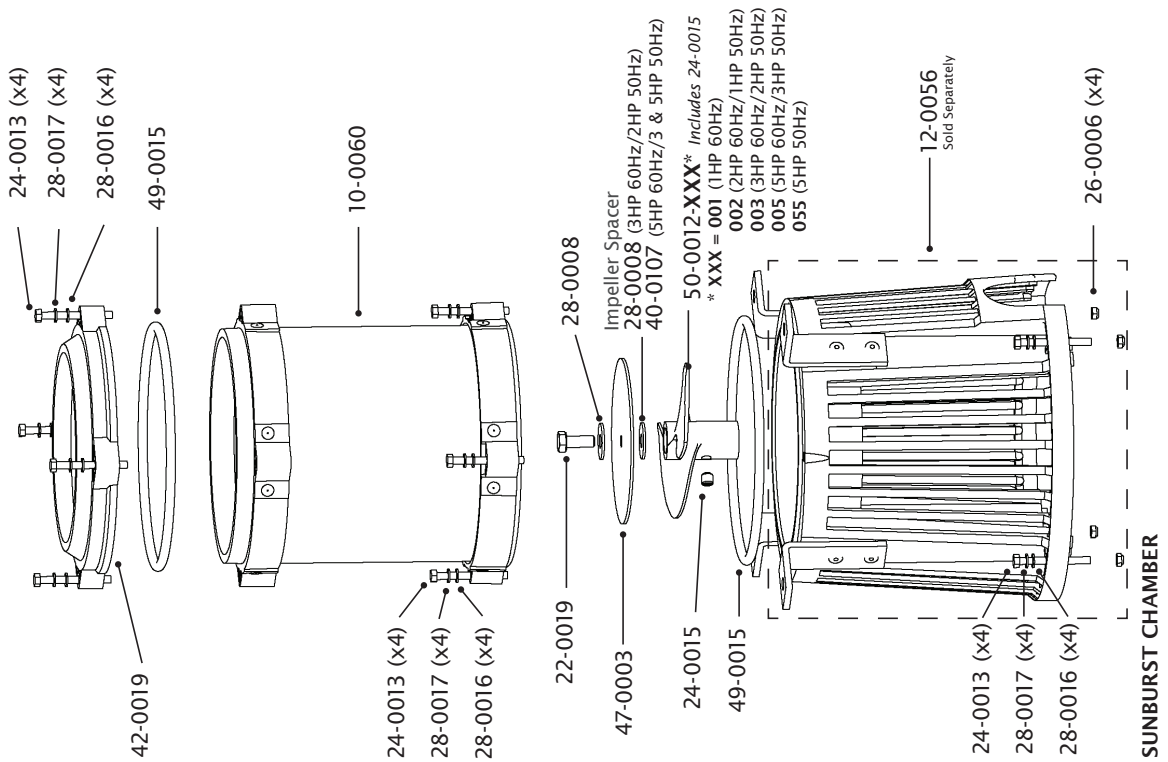
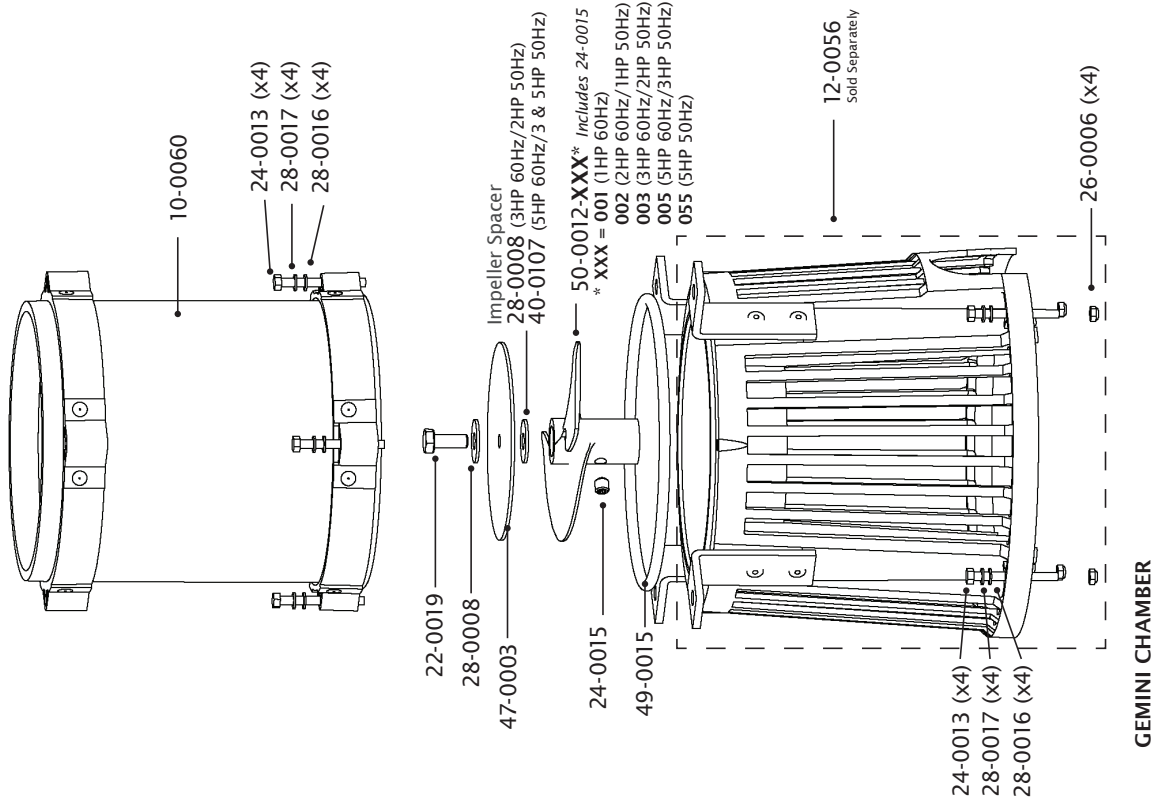
**CLOSED SEAL HUB +**

**(Units Prior 2007)**



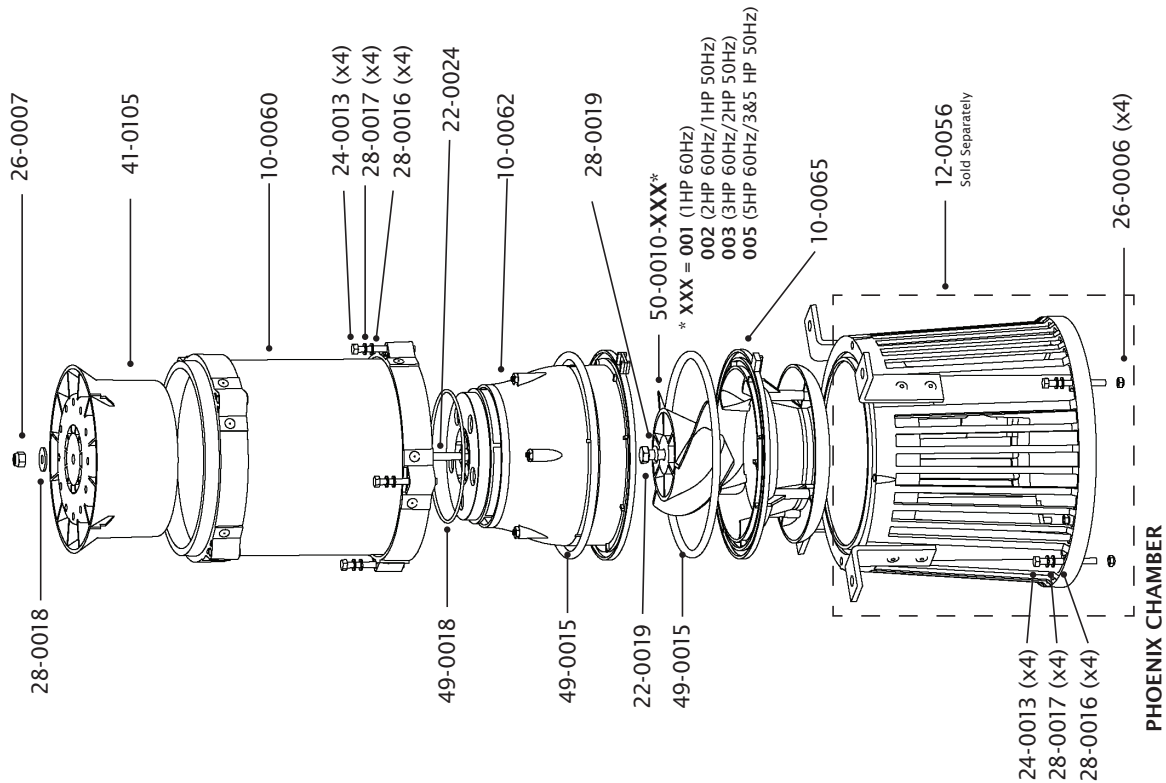
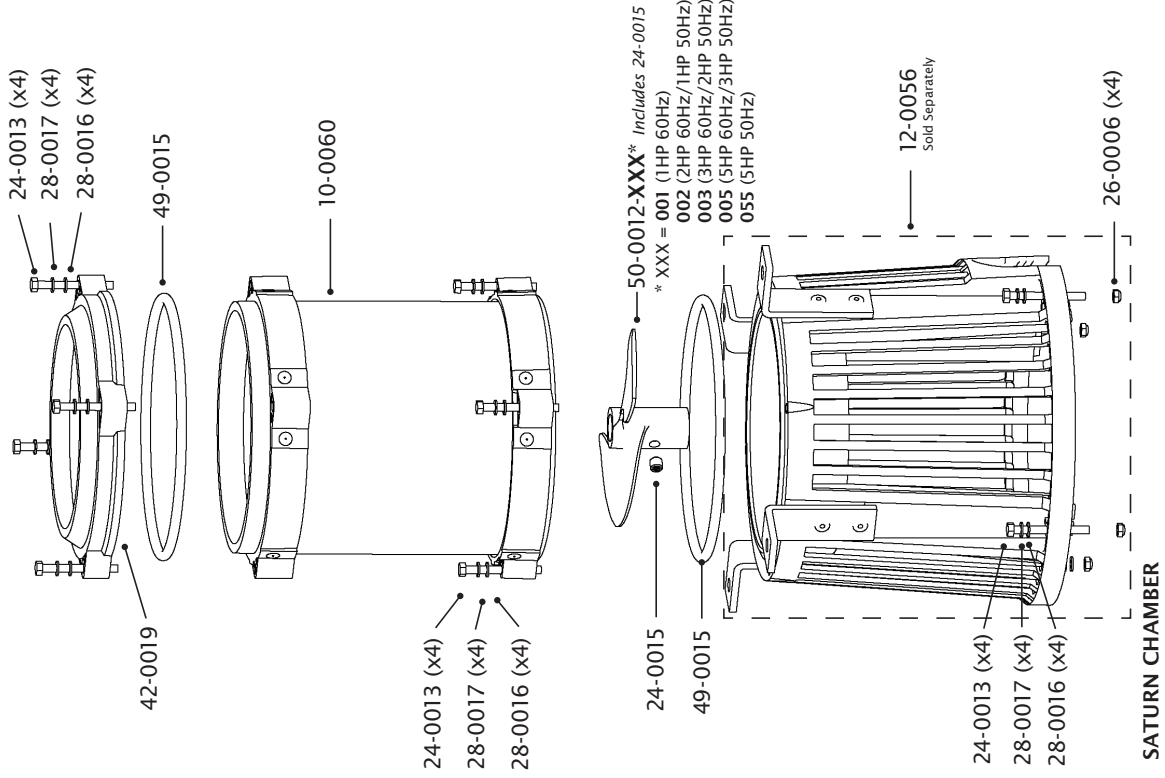
+ Seal Hubs Vary by Year Manufactured

Part Numbers with Pricing can be found sequential on pages 4-10



Can be purchased as complete chamber - see part numbers pages 6-8  
NOTE: Standoff Strainer (part number 12-0056) is not part of pump chamber assembly.

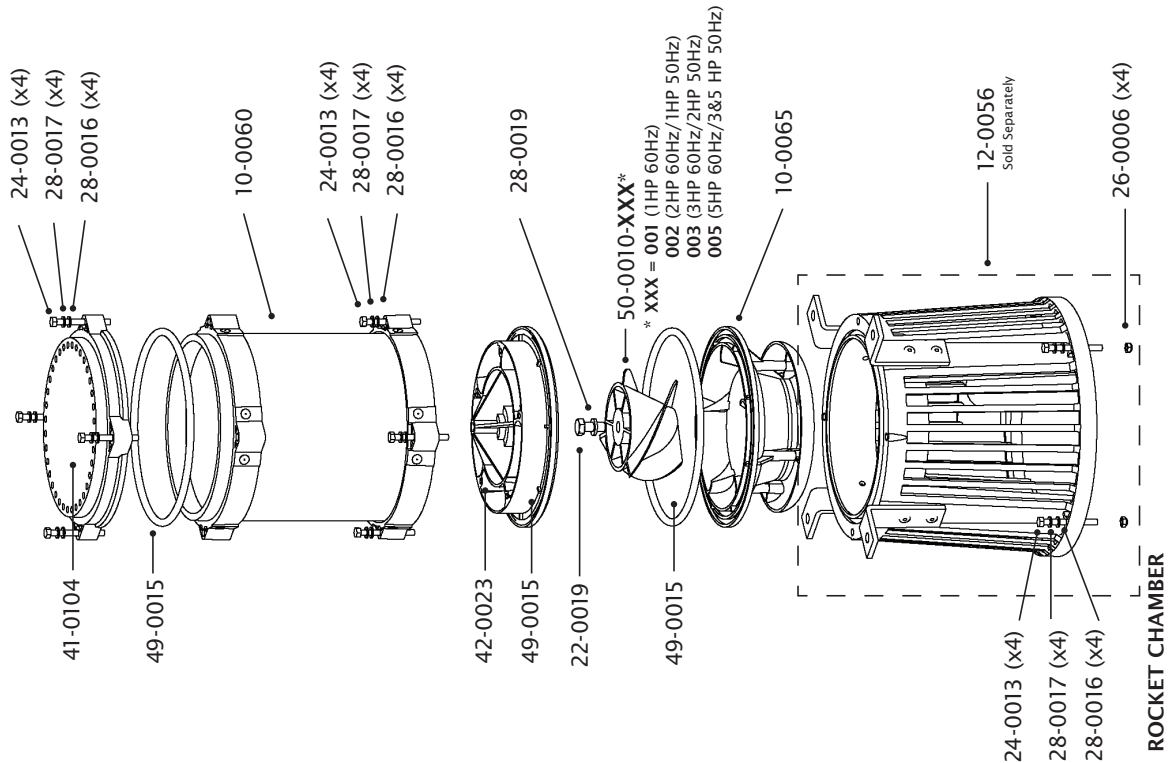
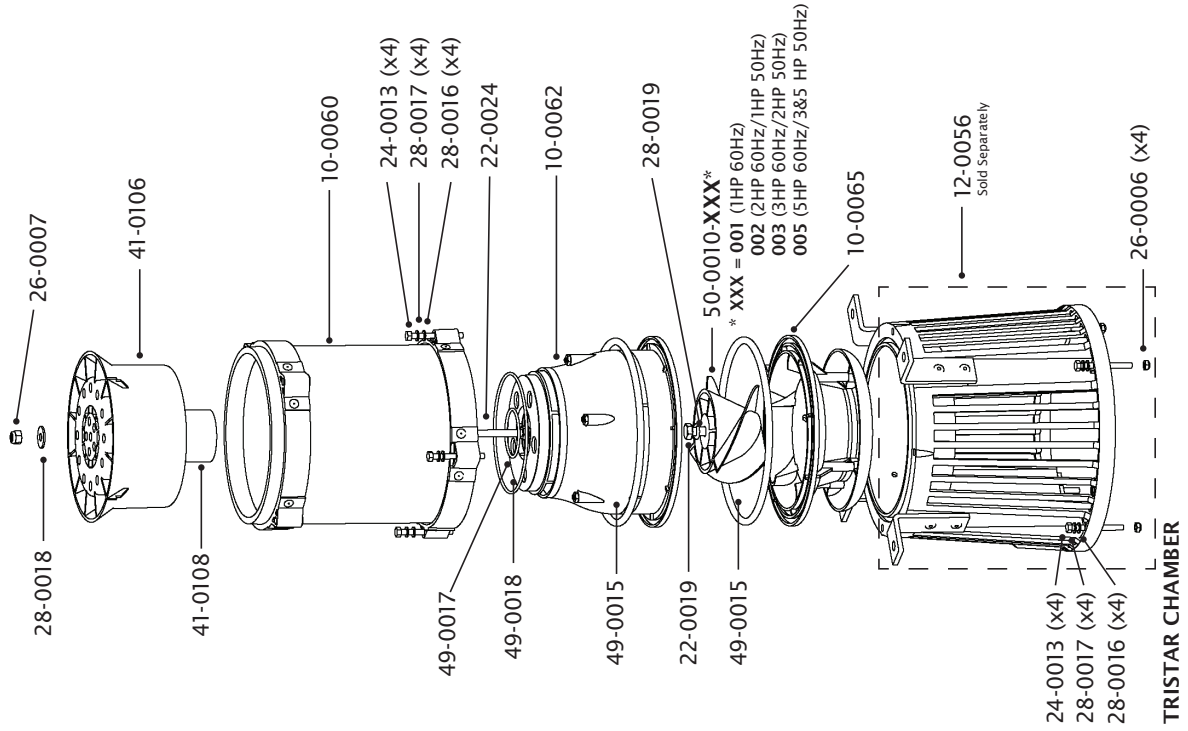
Part Numbers with Pricing can be found sequential on pages 4-10



Can be purchased as complete chamber - see part numbers pages 6-8  
NOTE: Standoff Strainer (part number 12-0056) is not part of pump chamber assembly.

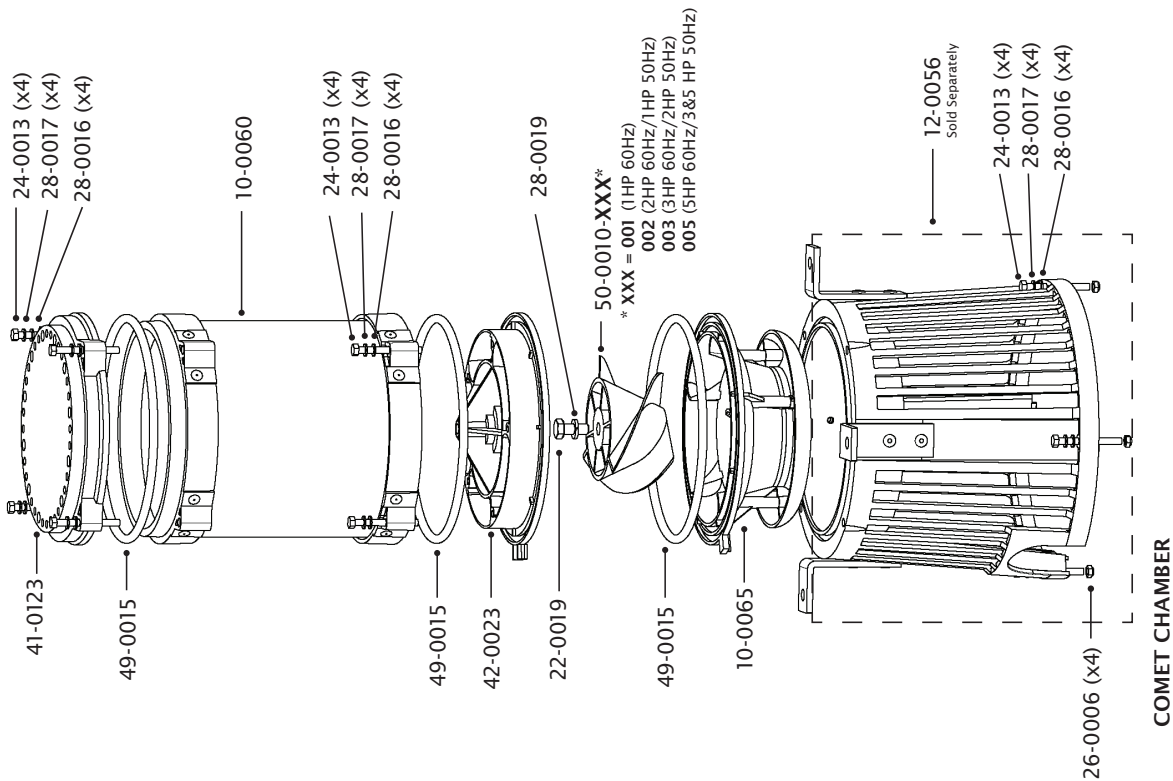
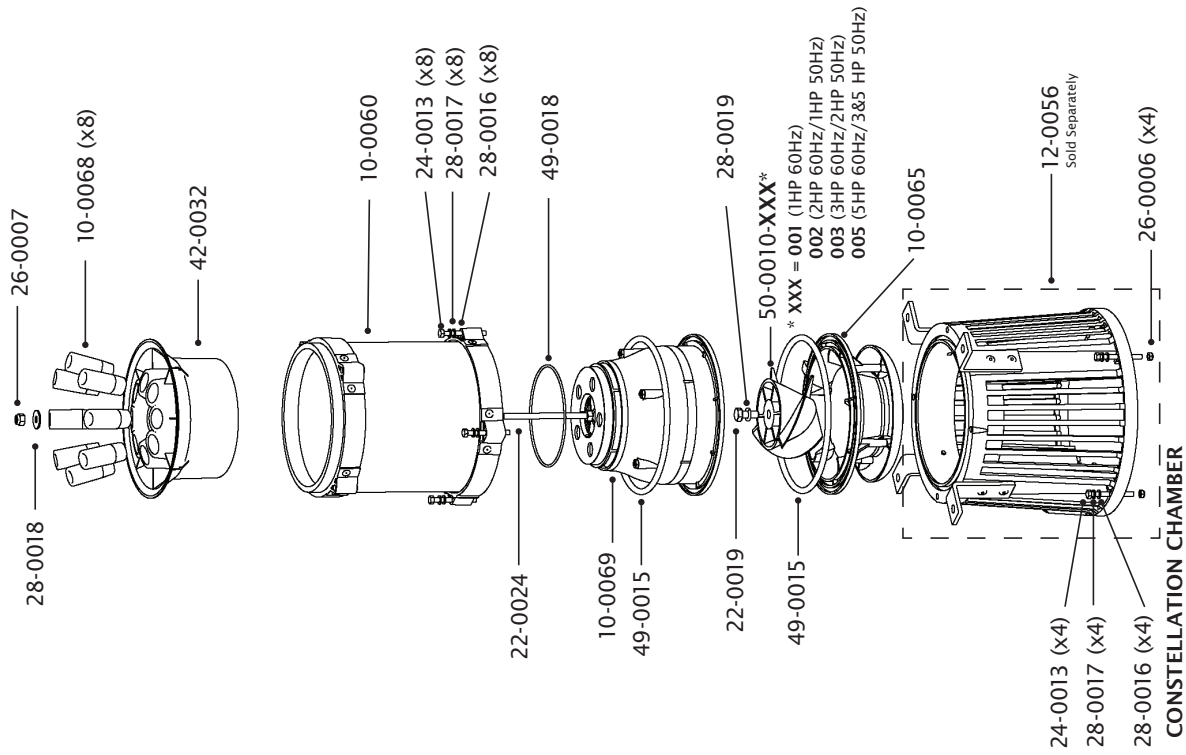


Part Numbers with Pricing can be found sequential on pages 4-10

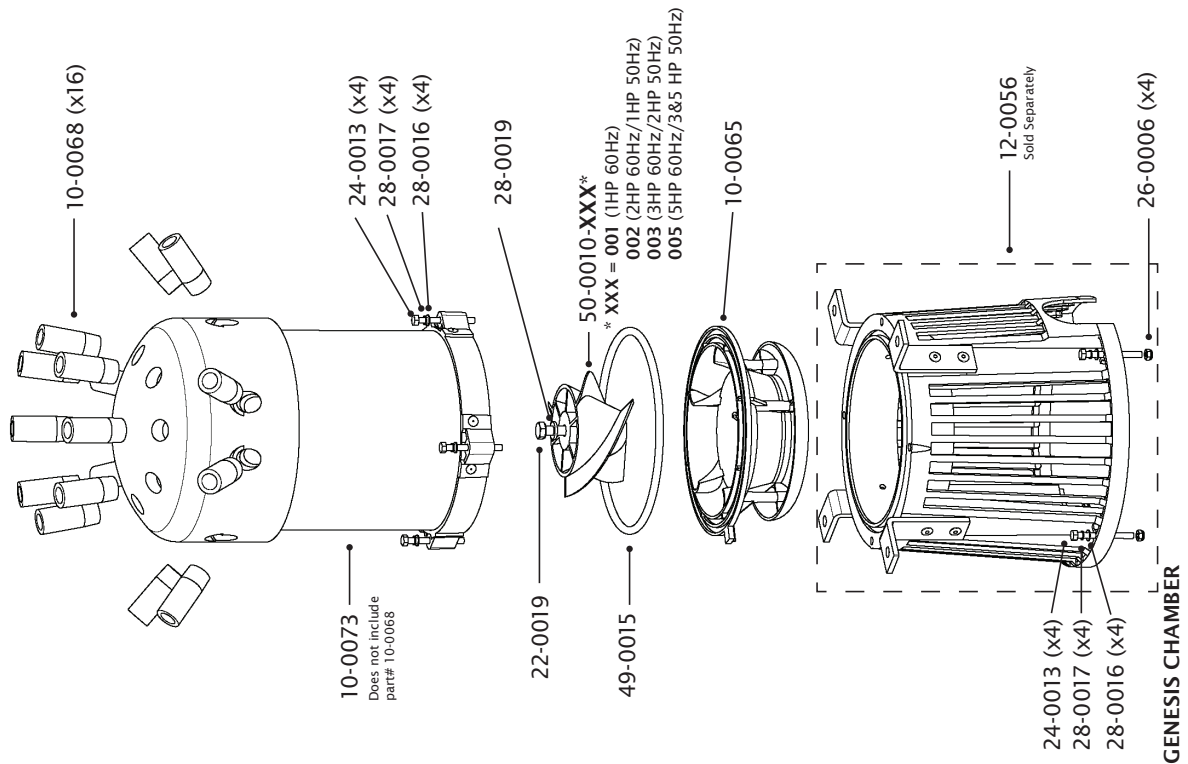
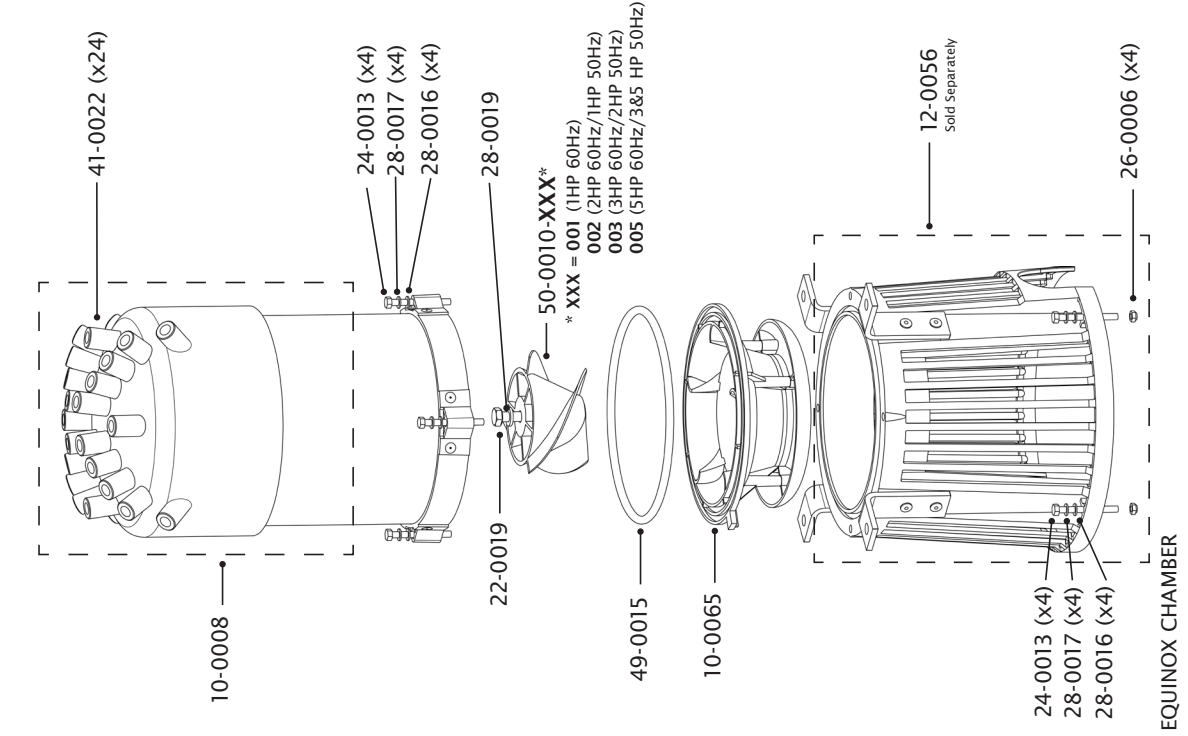


Can be purchased as complete chamber - see part numbers pages 6-8  
NOTE: Standoff Strainer (part number 12-0056) is not part of pump chamber assembly.

Part Numbers with Pricing can be found sequential on pages 4-10

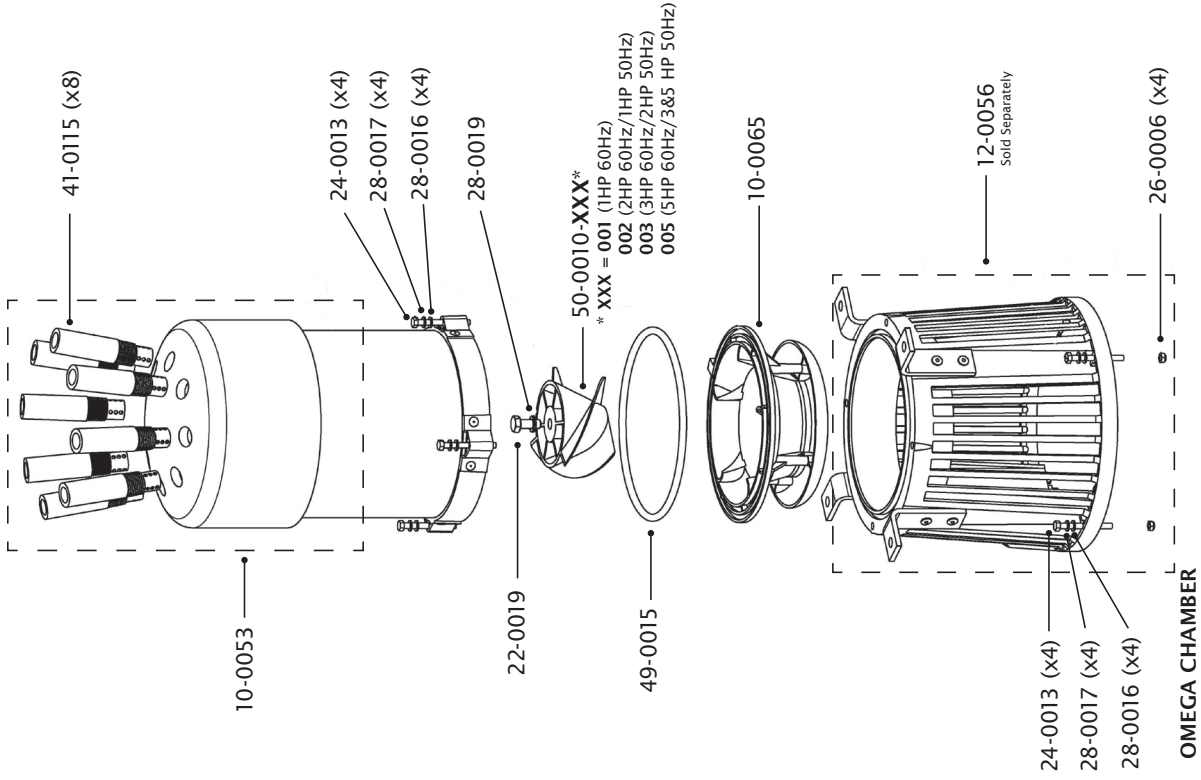


Can be purchased as complete chamber - see part numbers pages 6-8  
NOTE: Standoff Strainer (part number 12-0056) is not part of pump chamber assembly.



Can be purchased as complete chamber - see part numbers pages 6-8  
NOTE: Standoff Strainer (part number 12-0056) is not part of pump chamber assembly.

Part Numbers with Pricing can be found sequential on pages 4-10



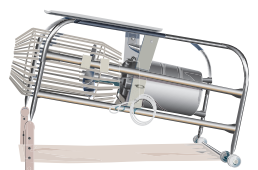
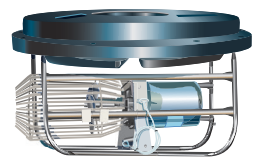
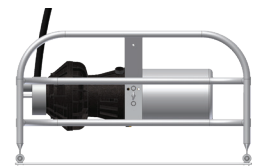
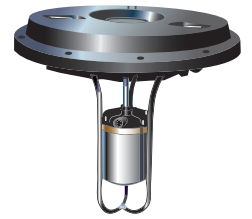
Can be purchased as complete chamber - see part numbers pages 6-8  
NOTE: Standoff Strainer (part number 12-0056) is not part of pump chamber assembly.

**CONCEPT 2 PARTS**

Electrical/PCC Parts are on pages 44-47

Exploded Part views are on pages 26-30

Part Number	Description
10-0004	OIL PLUG C2 w/O-RING
10-0005	STRAINER/LOWER CHAMBER ASSY C2
10-0006	VOLUTE MANIFOLD ASSEMBLY C2
10-0009	TRITON 2 SUPPORT FRAME 1 SIDE
10-0010	TRITON 2 MOORING CABLE ASSY
10-0013	TRITON ASP VENTURI ASSEMBLY
10-0014	FLOAT/COUPLING ASSY SUBTRT ASP
101-012	BOLT IMPELLER3/8-16x2"SNB3&5HP
101-012A	BOLT C2 1HP SNB PROP3/8-16X1 5
106-302*10	BOLT SUPPORT ARM BOLT QTY 10
12-0008	SCREEN HW KIT C2/C3/10HP
12-0010	HARDWARE KIT DEC PUMP CHAMBER
12-0018	ANCHOR KIT SUB-TRITON MIXER
12-0092	FLOW STRAIGHTENER KIT HV
12-0120	KIT C2 UNIT ARMS 3 ZINC ANODES
12-0121	KIT TRITON 4 ZINC ANODES
15-0007	SCREEN TRITON 2 TOP SECTION
15-0017	CAP/START SW 1HP C2 FRANKLIN
15-0018	CAP/START SW 2HP C2 FRANKLIN
155-422	SLINGER DISC C2/SNB & AFL/SB
16-0021-111	POWER UNIT TRITON 1HP 115/1/60
16-0021-115	POWER UNIT C2 1HP 115/1/60
16-0021-121	POWER UNIT TRITON 1HP 230/1/60
16-0021-122	POWER UNIT TRITON 1HP 220/1/50
16-0021-125	POWER UNIT C2 1HP 230/1/60
16-0021-126	POWER UNIT C2 1HP 220/1/50
16-0021-221	POWER UNIT TRITON 2HP 230/1/60
16-0021-222	POWER UNIT TRITON 2HP 220/1/50
16-0021-225	POWER UNIT C2 2HP 230/1/60
16-0021-226	POWER UNIT C2 2HP 220/1/50
16-0021-321	POWER UNIT TRITON 3HP 230/1/60
16-0021-322	POWER UNIT TRITON 3HP 220/1/50
16-0021-323	POWER UNIT TRITON 3HP 230/3/60
16-0021-325	POWER UNIT C2 3HP 230/1/60
16-0021-326	POWER UNIT C2 3HP 220/1/50
16-0021-327	POWER UNIT C2 3HP 230/3/60
16-0021-343	POWER UNIT TRITON 3HP 460/3/60
16-0021-344	POWER UNIT TRITON 3HP 400/3/50
16-0021-345	POWER UNIT C2 3HP 460/3/60

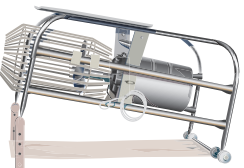
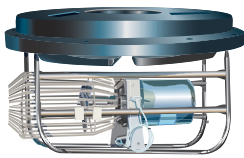
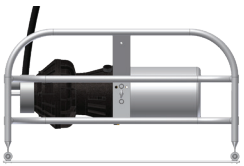


## CONCEPT 2 PARTS

**CONCEPT 2 PARTS**

Electrical/PCC Parts are on pages 44-47

Exploded Part views are on pages 26-30



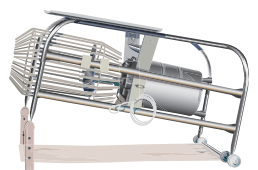
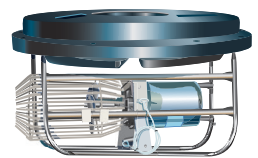
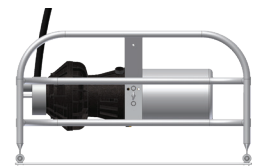
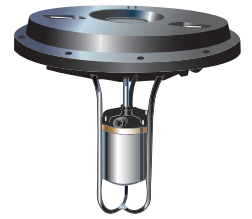
Part Number	Description
16-0021-346	POWER UNIT C2 3HP 400/3/50
16-0021-523	POWER UNIT TRITON 5HP 230/3/60
16-0021-525	POWER UNIT C2 5HP 230/3/60
16-0021-543	POWER UNIT TRITON 5HP 460/3/60
16-0021-544	POWER UNIT TRITON 5HP 400/3/50
16-0021-545	POWER UNIT C2 5HP 460/3/60
16-0021-546	POWER UNIT C2 5HP 400/3/50
16-0021-553	POWER UNIT TRITON 5HP 575/3/60
16-0021-555	POWER UNIT C2 5HP 575/3/60
178-003B*10	GROUND LUG NON-INSULATED QTY10
178-004A*10	CONNECTOR WIRE CRIMP QTY 10
178-005A*10	CONNECTOR WIRE CRIMP QTY 10
178-006*10	WIRE NUT EXTRA LARGE QTY 10
178-012*10	CONNECTOR BUTT 12-10awg QTY 10
178-012R*10	CONNECTOR BUTT QTY 10
19-0006-150	HIGH VOLUME CHAMBR C2 1HP 50Hz
19-0006-160	HIGH VOLUME CHAMBR C2 1HP 60Hz
19-0006-250	HIGH VOLUME CHAMBR C2 2HP 50Hz
19-0006-260	HIGH VOLUME CHAMBR C2 2HP 60Hz
19-0006-350	HIGH VOLUME CHAMBR C2 3HP 50Hz
19-0006-360	HIGH VOLUME CHAMBR C2 3HP 60Hz
19-0006-550	HIGH VOLUME CHAMBR C2 5HP 50Hz
19-0006-560	HIGH VOLUME CHAMBR C2 5HP 60Hz
19-0007-150	SUB-TRT ASP CHAMBR C2 1HP 50Hz
19-0007-160	SUB-TRT ASP CHAMBR C2 1HP 60Hz
19-0007-250	SUB-TRT ASP CHAMBR C2 2HP 50Hz
19-0007-260	SUB-TRT ASP CHAMBR C2 2HP 60Hz
19-0007-350	SUB-TRT ASP CHAMBR C2 3HP 50Hz
19-0007-360	SUB-TRT ASP CHAMBR C2 3HP 60Hz
19-0007-550	SUB-TRT ASP CHAMBR C2 5HP 50Hz
19-0007-560	SUB-TRT ASP CHAMBR C2 5HP 60Hz
19-0008-150	TRITON ASP CHAMBER C2 1HP 50Hz
19-0008-160	TRITON ASP CHAMBER C2 1HP 60Hz
19-0008-250	TRITON ASP CHAMBER C2 2HP 50Hz
19-0008-260	TRITON ASP CHAMBER C2 2HP 60Hz
19-0008-350	TRITON ASP CHAMBER C2 3HP 50Hz
19-0008-360	TRITON ASP CHAMBER C2 3HP 60Hz
19-0008-550	TRITON ASP CHAMBER C2 5HP 50Hz
19-0008-560	TRITON ASP CHAMBER C2 5HP 60Hz

**CONCEPT 2 PARTS**

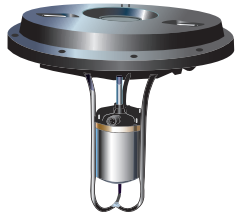
Electrical/PCC Parts are on pages 44-47

Exploded Part views are on pages 26-30

Part Number	Description
19-0009-150	SUB-MIXER CHAMBER C2 1HP 50Hz
19-0009-160	SUB-MIXER CHAMBER C2 1HP 60Hz
19-0009-250	SUB-MIXER CHAMBER C2 2HP 50Hz
19-0009-260	SUB-MIXER CHAMBER C2 2HP 60Hz
19-0009-350	SUB-MIXER CHAMBER C2 3HP 50Hz
19-0009-360	SUB-MIXER CHAMBER C2 3HP 60Hz
19-0010-150	MIXER CHAMBER C2 1HP 50Hz
19-0010-160	MIXER CHAMBER C2 1HP 60Hz
19-0010-250	MIXER CHAMBER C2 2HP 50Hz
19-0010-260	MIXER CHAMBER C2 2HP 60Hz
19-0010-350	MIXER CHAMBER C2 3HP 50Hz
19-0010-360	MIXER CHAMBER C2 3HP 60Hz
20-0011	U-BOLT S/S FLOW STRAIGHTENER
22-0004*10	BOLT HEX S/S 3/8"-16x3" QTY 10
22-0018	BOLT HEX S/S 3/8-16x1 25" NYLN
24-0001	SETSCREW TRT2 MIXER&50HZ PROPS
24-0005	SETSCREW IMPELLE 2/97& NEWER
26-0001	NUT SERRATED FLANGE S/S 1/4-20
26-0001*10	NUT SERRATED FLANGE QTY 10
28-0003-001	WASHER SPLIT LOCK S/S #10
28-0003-001*10	WASHER SPLIT LCK S/S #10 QTY10
29-0004	WASHER FENDER S/S 3/8"x1 25"OD
40-0003	SUPPORT BRACE TRITON 2 S/S
40-0004	BRACKET U TRITON-2 FRAME/FLOAT
40-0005	SPACER TRITON 2 ASPIRATOR
40-0011	TIE ROD SUB-TRITON II
40-0111	PLATE MTG FLOW STRAIGHTENER HV
40-0112	BRACKET MTG FLOW STRAIGHTNR HV
40-0113	FLOW STRAIGHTENER "A" HV
40-0114	FLOW STRAIGHTENER "B" HV
41-0002	BUSHING TRITON 2
41-0004	BARRIER BOTTOM SUB-TRITON ASP
41-0005	BARRIER BOTTOM SUB-TRIT MIXER
41-0006	PLATE VORTEX SUBTRITON MIXER
45-0006	TRITON 2 MOTOR MOUNTING RING
46-0004-034	AIR TUBE TRITON 2 ASPIRATOR
46-0005	MUFFLER TRITON 2 ASP 1" X 2 5"
46-0005*10	MUFFLER TRITON 2 ASP QTY 10
46-0006*10	PIPE NIPPLE TRITON ASP QTY 10

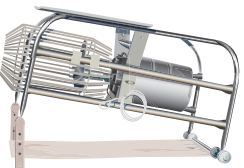
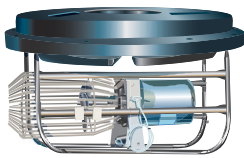
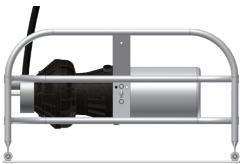


## CONCEPT 2 PARTS

**CONCEPT 2 PARTS**

Electrical/PCC Parts are on pages 44-47

Exploded Part views are on pages 26-30



Part Number	Description
46-0007	ELBOW FITTING 1/2" FEMALE/BARB
46-0012	ROD END CAP 3/8"
46-0104	SEAL HOLE S/S PCC 1 5" CONDUIT
48-0001	GREASE PACK SINGLE USE
48-0001*10	SILICONE 1 5ML PACK QTY 10
48-0002	SILICON/DIELEC COMPOUND 5 3OZ
48-0003*10	SEAL LUBRICANT 2 ml PAC QTY 10
48-0004	SEAL LUBRICANT 1 PINT
49-0002	GROMMET 1" RUBBER C2 MOTORS
49-0018	O-RING C2 MNFLD&C3 PHX/TRI/CON
50-0006-001	PROP TRT2 MIXER 1HP 60Hz
50-0006-002	PROP TRT2 MIX 2HP60Hz/1HP50Hz
50-0006-003	PROP TRT2 MIX 3HP60Hz/2HP50Hz
50-0006-053	PROP TRT2 MIXER 3HP 50Hz
50-0013-001	IMPELLER HV 1HP60Hz C2
50-0013-002	IMPELLER HV 2HP60Hz/1HP50Hz C2
50-0013-003	IMPELLER HV 3HP60Hz/2HP50Hz C2
50-0013-005	IMPELLER HV 5HP60Hz/3HP50Hz C2
50-0013-006	IMPELLER HV 5HP50Hz C2
614-017	SPLICE KIT LG 1"MAX 12/10/8awg
614-019	BEARING BOTTOM C2 1HP FRANKLIN
660-002	NUT HEX 316S/S 5/16-18
660-002*10	NUT HEX 316S/S 5/16"-18 QTY 10
895-0041	SLINGER SPACER C2 1HP
895-0044	SLINGER SPACER C2 2HP/60HZ
895-0045	SPACER VENTURI ASSY TRITON ASP
895-0046	SLINGER SPACER 50HZ 5HP SNB
927-000	WASHER FLAT S/S 1/4"
927-000*10	WASHER FLAT S/S 1/4" QTY 10
927-003	WASHER FLAT S/S 3/8"
927-003*10	WASHER FLAT S/S 3/8" QTY 10
927-009	WASHER FENDER S/S 3/8"x1 5"OD
927-009*10	WASHER SLINGER QTY 10
BP2803B	SCREW HEX SL S/S #10x3/4TYPE A
BP2874*10	TY-RAP QTY 10
C2-100	TOLERANCE RING C2
C2-100*10	TOLERANCE RING C2 QTY 10
C2-110	BOLT RIB NECK CAR S/S 1/4-20x1
C2-110*10	BOLT MOUNTING RING QTY 10



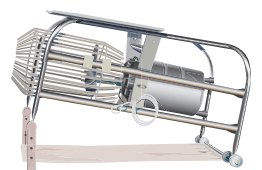
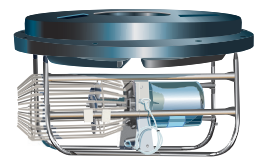
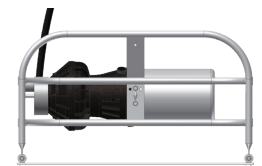
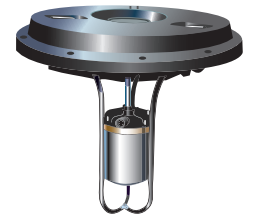
**CONCEPT 2 PARTS**

\* Parts to be discontinued

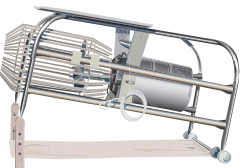
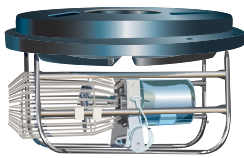
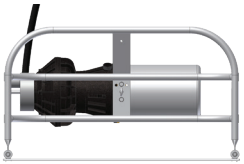
Electrical/PCC Parts are on pages 44-47

Exploded Part views are on pages 26-30

Part Number	Description
C2-111	BOLT HIGH VOLUME PROP
C2-1112	TERMINAL STRIP 4 POLE
C2-112	NUT NYLON LOCK 316S/S 1/4-20
C2-112*10	NUT LOCK 316S/S 1/4"-20 QTY 10
C2-115	BOLT PROP BOLT 2HP 60 HZ SNB
C2-141*10	SCREW VOLUTE MOUNTING QTY 10
C2-203	MOTOR BASE PLATE ASSY C2
C2-205	MOUNTING RING CONCEPT 2
C2-301	PLATE SUPPORT ARM BRACE C2
C2-310	SUPPORT ARM SHORT 31"
C2-311	SUPPORT ARM SHORT ADJUSTABLE
C2-340	CAGE PROTECTVE TRITOrSUB MIXER
C2-345	CLAMP TRITON MIXER CAGE
C2-350	BRACKET ANGLE ADJ TR2 SUBMIXER
C2-400	FLOAT C2
C2-533	CAPACITOR 3HP 1Ph #279322110
C2-611	MOTOR C2 1HP 50/60 HZ
C2-612	MOTOR C2 2HP 1Ph 50/60Hz
C2-613-01	MOTOR C2 3HP 1Ph w/ BUSHING
C2-633	MOTOR C2 3HP 3Ph 60/50Hz
C2-635	MOTOR C2 5HP 3Ph 50/60Hz
C2-655	MOTOR C2 5HP 575V 3Ph CANADA
C2-660	BEARING TOP ALL C2
C2-662	BEARING BOTTOM C2 2HP FRANKLIN
C2-663	BEARING BTM C2 3&5HP BEFOR4/98
C2-700	O-RING C2 HOUSING
C2-704	ROTARY SEAL C2 ALL
C2-705	WAVEY WASHER C2
C2-706	O-RING PUMP CHAMBER O-RING C2
C2-708	O-RING RKT DIFFUSER O-RING C2
C2-720	SHAFT SLINGER REPLACES#C2-703
C2-801	IMPELLER SNB 1HP 60Hz
C2-802	IMPELLER SNB 2HP 60Hz/1HP 50Hz
C2-803	IMPELLER SNB 3HP 60Hz/2HP 50Hz
C2-805	IMPELLER SNB 5HP 60Hz/3HP 50Hz
C2-806	IMPELLER SNB 5HP 50Hz
C2-809	SPACER SLINGER C2   3HP & 5HP
* C2-811	IMPELLER DEC 1HP 60Hz C2
* C2-812	IMPELLER DEC 2HP 60Hz ONLY C2



CONCEPT 2 PARTS



**CONCEPT 2 PARTS**

\* Parts to be discontinued

Electrical/PCC Parts are on pages 44-47

Exploded Part views are on pages 26-30

Part Number	Description
* C2-813	IMPELLR DEC 3HP60Hz/2HP50Hz C2
* C2-815	IMPELLR DEC 5HP60Hz/3HP50Hz C2
* C2-816	IMPELLER DEC 1HP 50Hz C2
* C2-817	IMPELLER DEC 5HP 50Hz C2
C2-840	DIFFUSER HOUSING C2
C2-845	DIFFUSER PHX C2
C2-850	DIFFUSER PLATE RKT C2 3 DEGREE
C2-870	DIFFUSER TRI-STAR C2
EP5103*10	BOLT HEX S/S 1/4-20x3/4" QTY10
EP6301	WASHER SPLIT LOCK S/S 3/8"
EP6301*10	WASHER SPLIT LCK S/S 3/8 QTY10
F-800-001B	SCREEN KIT 1/2" C2 HV/SNB
F-900-002F	SCREEN KIT 1/4" C2 DECORATIVE
HP4102	G F I SENSING RING KIT
MP2001*10	NUT HEX 316S/S 3/8"-16 QTY 10
MP2002*10	WASHER INT STAR S/S 3/8" QTY10
MP2004	BOLT HEX S/S #10-24 x 1 25"
MP2004*10	BOLT HEX S/S #10-24x1 25 QTY10
MP2006*10	WASHER INT STAR S/S #10 QTY 10
S-300	C2 FLOAT/ARMS/HARDWARE PACKAGE
S-320	HARDWARE KIT C2 ARM ASSY
S-400	THROAT ASSY C2 SNB
S-C2-801	IMPELLER ASSY C2 1HP SNB 60HZ
S-C2-802	IMPELLER ASSY C2 2HP SNB 60HZ
S-C2-803	IMPELLER ASSY C2 3HP SNB 60HZ
S-C2-805	IMPELLER ASSY C2 5HP SNB 60HZ
* SP-801	PHX CHAMBER C2 1HP/60HZ
* SP-801-50	PHX CHAMBER C2 1HP/50HZ
* SP-802	PHX CHAMBER C2 2HP/60HZ
* SP-802-50	PHX CHAMBER C2 2HP/50HZ
* SP-803	PHX CHAMBER C2 3HP/60HZ
* SP-803-50	PHX CHAMBER C2 3HP/50HZ
* SP-805	PHX CHAMBER C2 5HP/60HZ
* SP-805-50	PHX CHAMBER C2 5HP/50HZ
* SR-801	RKT CHAMBER C2 1HP/60HZ
* SR-801-50	RKT CHAMBER C2 1HP/50HZ
* SR-802	RKT CHAMBER C2 2HP/60HZ
* SR-802-50	RKT CHAMBER C2 2HP/50HZ
* SR-803	RKT CHAMBER C2 3HP/60HZ

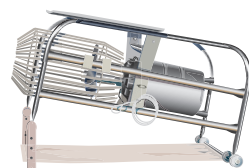
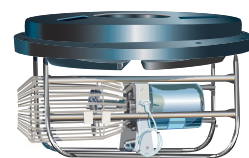
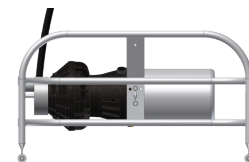
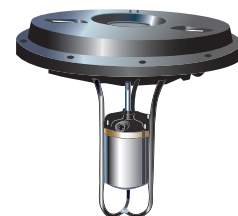
**CONCEPT 2 PARTS**

\* Parts to be discontinued

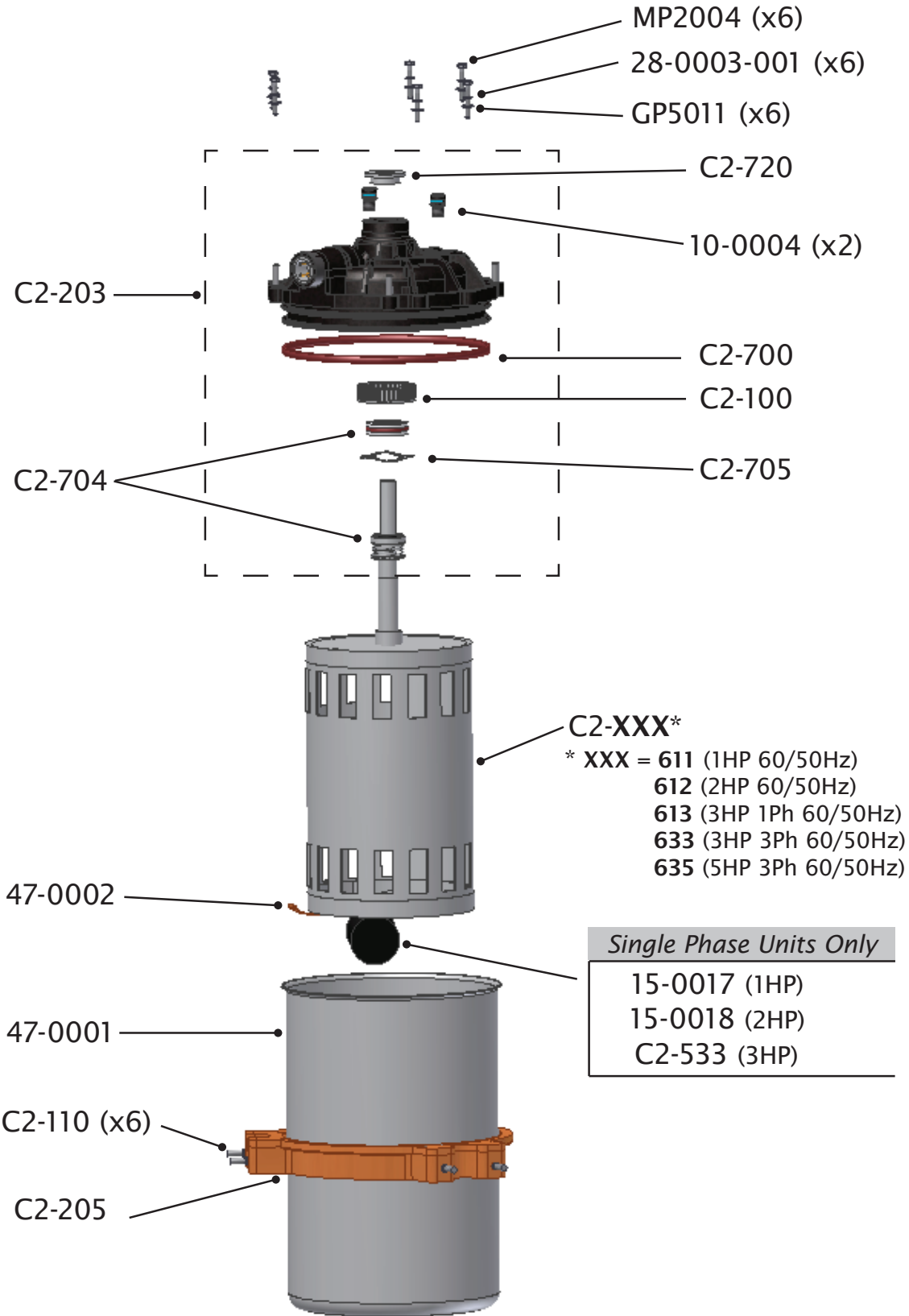
Electrical/PCC Parts are on pages 44-47

Exploded Part views are on pages 26-30

Part Number	Description
* SR-803-50	RKT CHAMBER C2 3HP/50HZ
* SR-805	RKT CHAMBER C2 5HP/60HZ
* SR-805-50	RKT CHAMBER C2 5HP/50HZ
SR-850	DIFF ASSY C-2 W/ORING RKT 6DEG
SS-801	SNB CHAMBER C2 1HP/60HZ
SS-801-50	SNB CHAMBER C2 1HP/50HZ
SS-802	SNB CHAMBER C2 2HP/60HZ
SS-802-50	SNB CHAMBER C2 2HP/50HZ
SS-803	SNB CHAMBER C2 3HP/60HZ
SS-803-50	SNB CHAMBER C2 3HP/50HZ
SS-805	SNB CHAMBER C2 5HP/60HZ
SS-805-50	SNB CHAMBER C2 5HP/50HZ
* ST-801	TRISTAR CHAMBER C2 1HP/60HZ
* ST-801-50	TRISTAR CHAMBER C2 1HP/50HZ
* ST-802	TRISTAR CHAMBER C2 2HP/60HZ
* ST-802-50	TRISTAR CHAMBER C2 2HP/50HZ
* ST-803	TRISTAR CHAMBER C2 3HP/60HZ
* ST-803-50	TRISTAR CHAMBER C2 3HP/50HZ
* ST-805	TRISTAR CHAMBER C2 5HP/60HZ
* ST-805-50	TRISTAR CHAMBER C2 5HP/50HZ

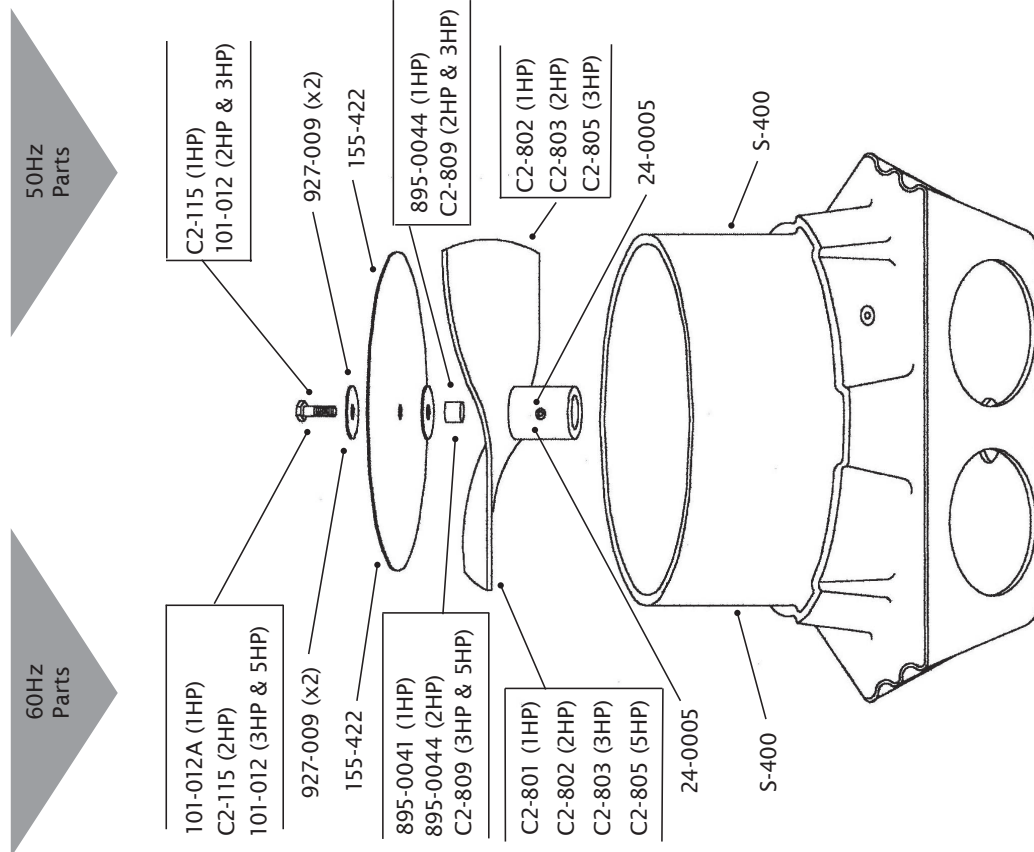


Part Numbers with Pricing can be found sequential on pages 19-25

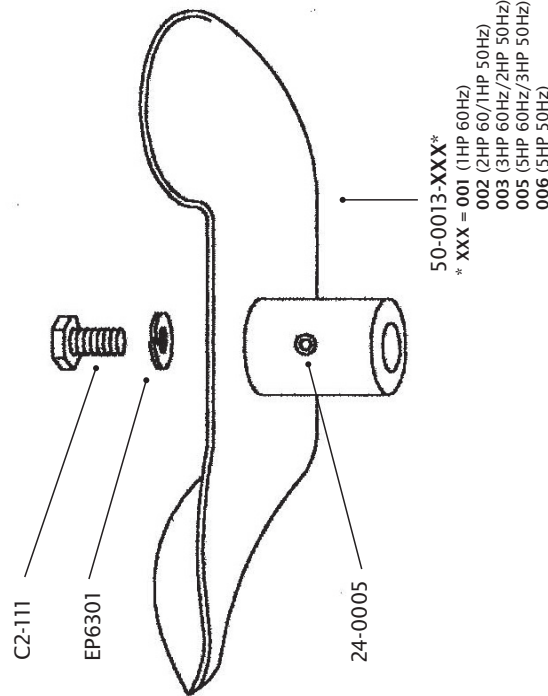


**C2 POWER UNIT**

Can be purchased as complete power unit - see part numbers on pages 19-20



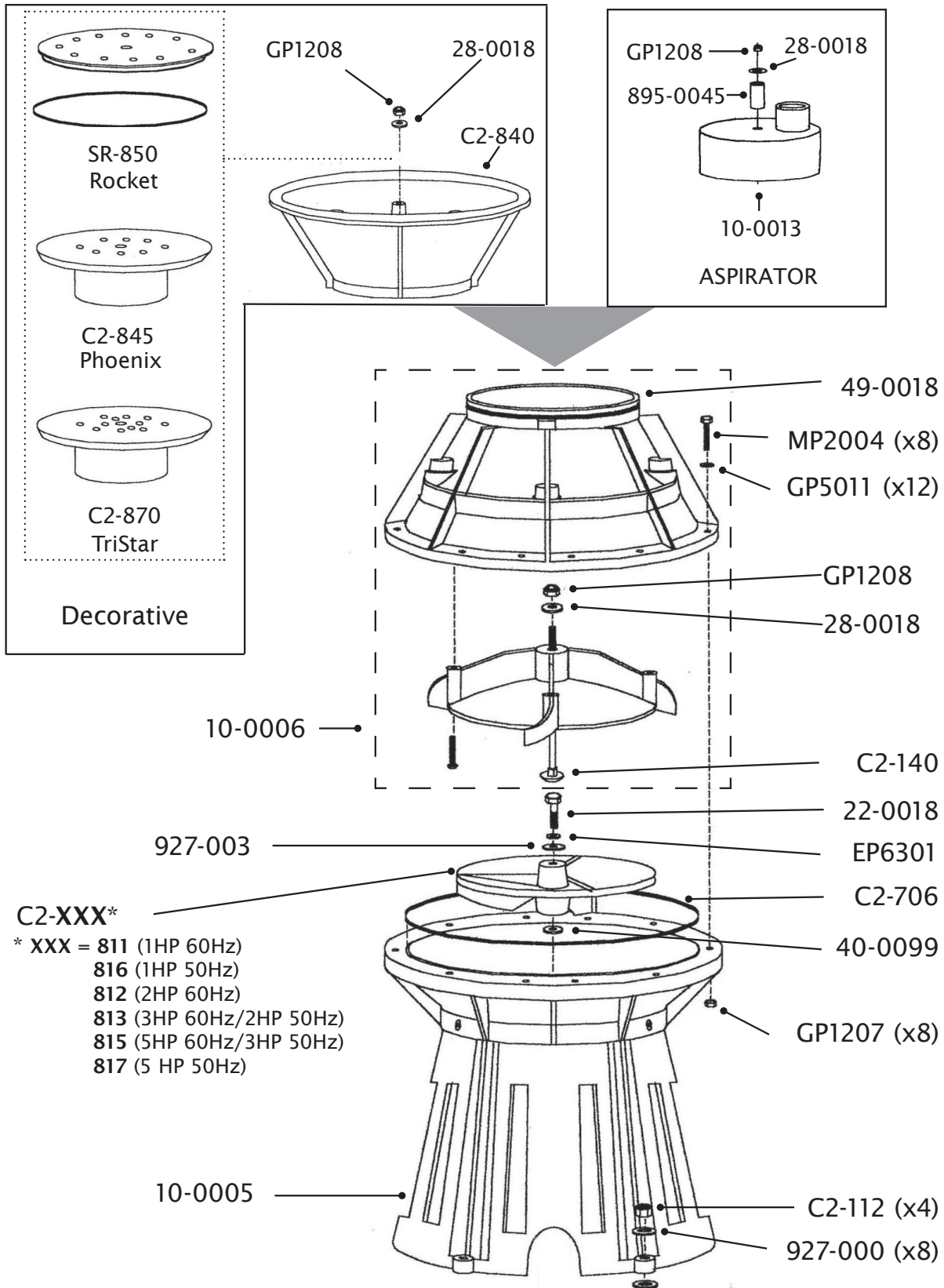
SUNBURST CHAMBER



HIGH VOLUME CHAMBER

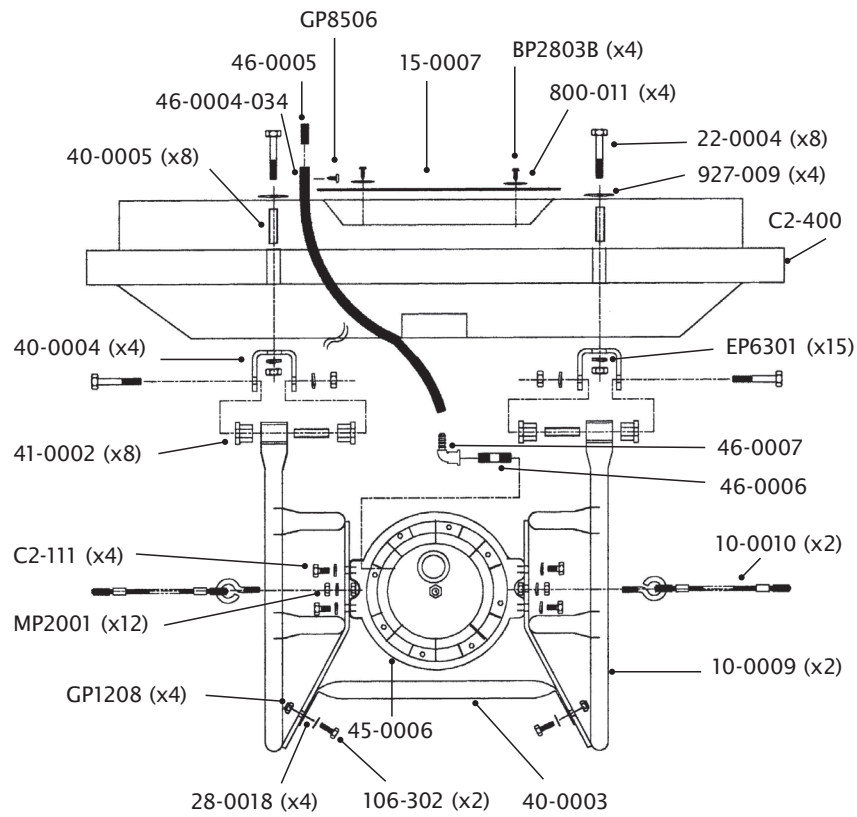
Can be purchased as complete chamber - see part numbers in Concept 2 Section

Part Numbers with Pricing can be found sequential on pages 19-25

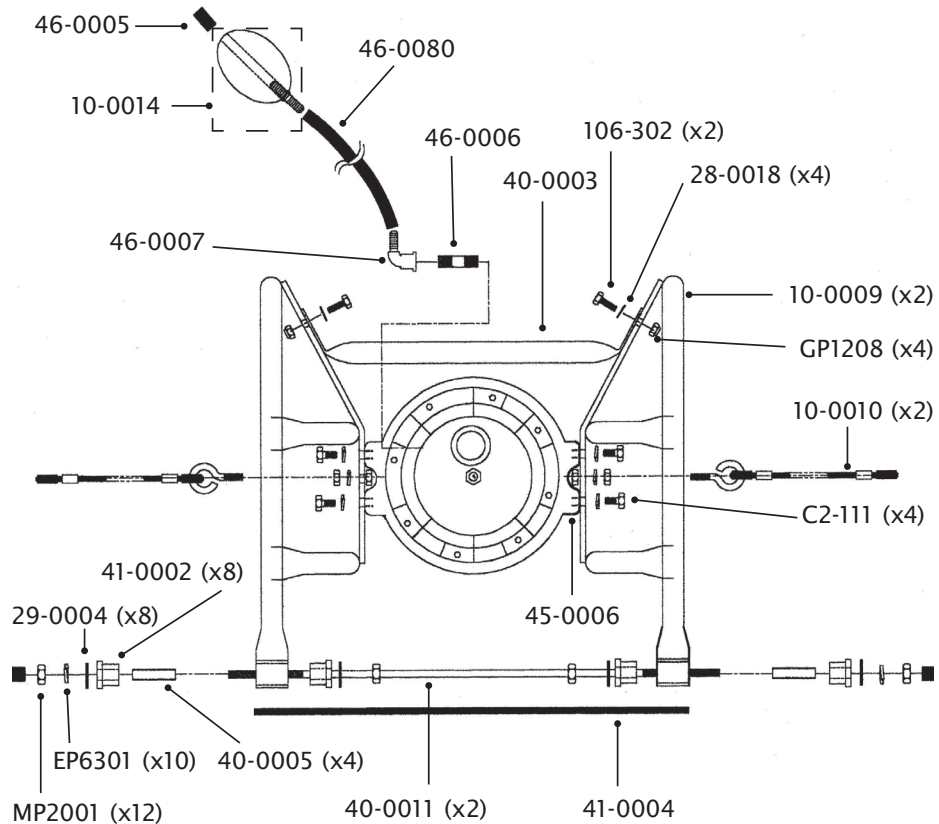


**C2 DECORATIVE & ASPIRATOR CHAMBER**

Can be purchased as complete chamber - see part numbers in Concept 2 Section

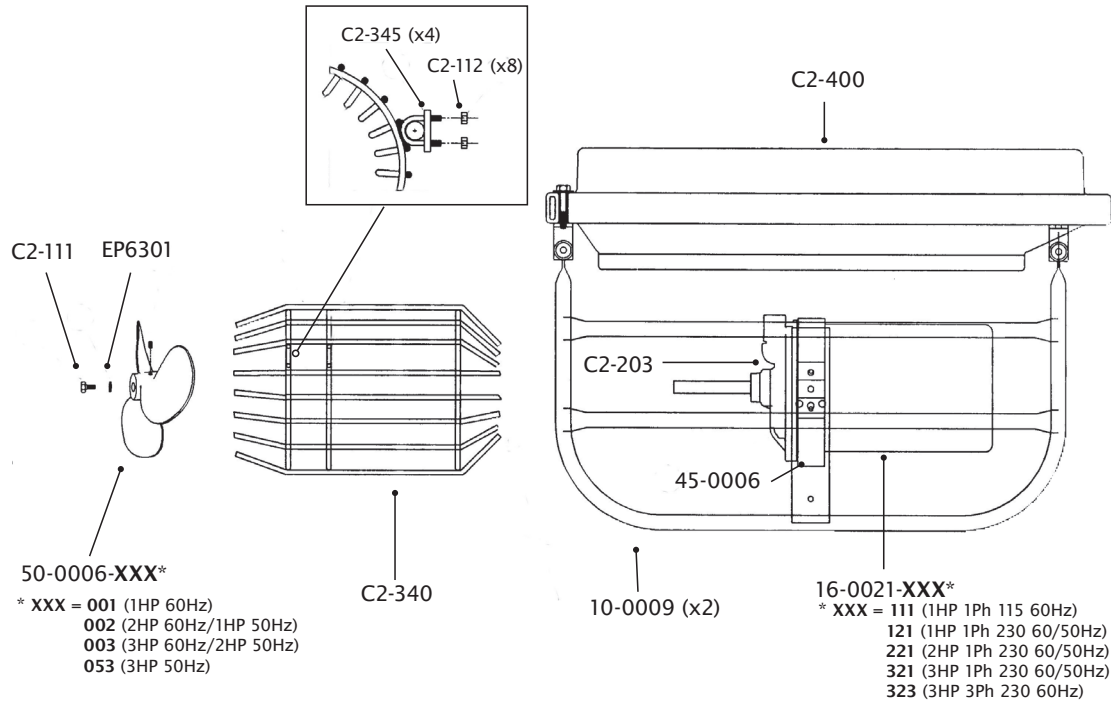


TRITON ASPIRATOR

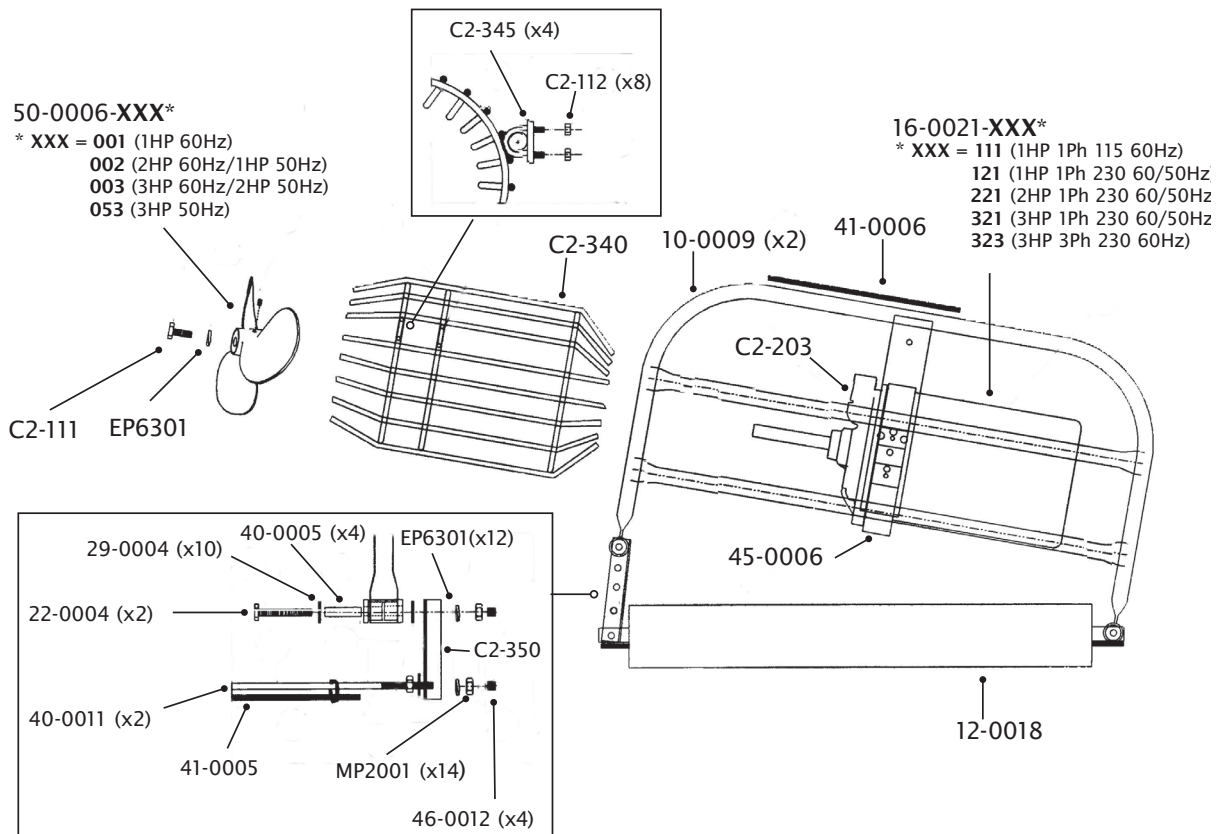


SUB - TRITON ASPIRATOR

Part Numbers with Pricing can be found sequential on pages 19-25



TRITON MIXER



SUB - TRITON MIXER



**FRACTIONAL SERIES PARTS**

Electrical/PCC Parts are on page 44

Exploded Part views are on pages 33-34



Part Number	Description
12-0073	SPLICE KIT 12/3 LOW VOLT (12V)
12-0106	SCREEN KIT 1/4" MESH FRAC SER
12-0125	MBP KIT, FS HARDWIRED 6FT 12/3
12-0126	MBP KIT, FRAC SERIES QD (& CE)
12-0127	KIT,FRAC SERIES SEALS
12-0130	KIT FS UNIT 3 ZINC ANODES
13-0001	FS POWER UNIT 115/1/60 HDWIRED
13-0002	FS POWER UNIT 230/1/60 HDWIRED
13-0003	FS POWER UNIT 115/1/60 QD
13-0004	FS POWER UNIT 230/1/60 QD
13-0005	FS POWER UNIT 220/1/50 HDWIRED
13-0006	FS POWER UNIT 220/1/50 QD
13-0007	FS POWER UNIT 220/1/50 QD (CE)
22-0006	BOLT HEX S/S M5x35
22-0040	BOLT,M6-1x40 SEALNG HEX MBP FS
22-0041	BOLT, M6-1x14 S/S HEX FS
24-0022	SCREW HEX S/S M6x20 FULL THRD
24-0034	SCREW PAN PHIL S/S M4x30
28-0005	WASHER, SPACER FS "G" SEAL
28-0023	WASHER FENDER S/S M6
30-0001	MOTOR 1/2HP FRACTIONAL SERIES
35-0019	CE PIGTAIL 12/3 FRACTIONAL
36-0023	CAPACITOR FRACTIONAL SERIES
36-0036	BEARING TOP FRACTIONAL
36-0037	BEARING BOTTOM FRACTIONAL
40-0012	BRACKET, 60Hz FLOAT, FS
40-0013	SLINGER DISC, GEMINI 60HZ FS
40-0014	SLINGER DISC, GEMINI 50HZ FS
40-0017	BRACKET, 50Hz FLOAT, FS
40-0022	SLINGER DISC, HV 60HZ FS
41-0064	SPACER, HIGH VOLUME FS 50HZ
42-0042	FLOAT FRACTIONAL SERIES
42-0101	MOUNTING RING FS
42-0102	THROAT CHAMBER FRAC SERIES
42-0103	CHAMBER, DECORATIVE FS
42-0104	INTAKE, DECORATIVE IMPELLER FS
42-0105	IMPELLER, DECORATIVE 60Hz FS
42-0106	IMPELLER, DECORATIVE 50Hz FS
42-0107	PROP, OPEN THROAT 60Hz FS

FRACTIONAL SERIES PARTS

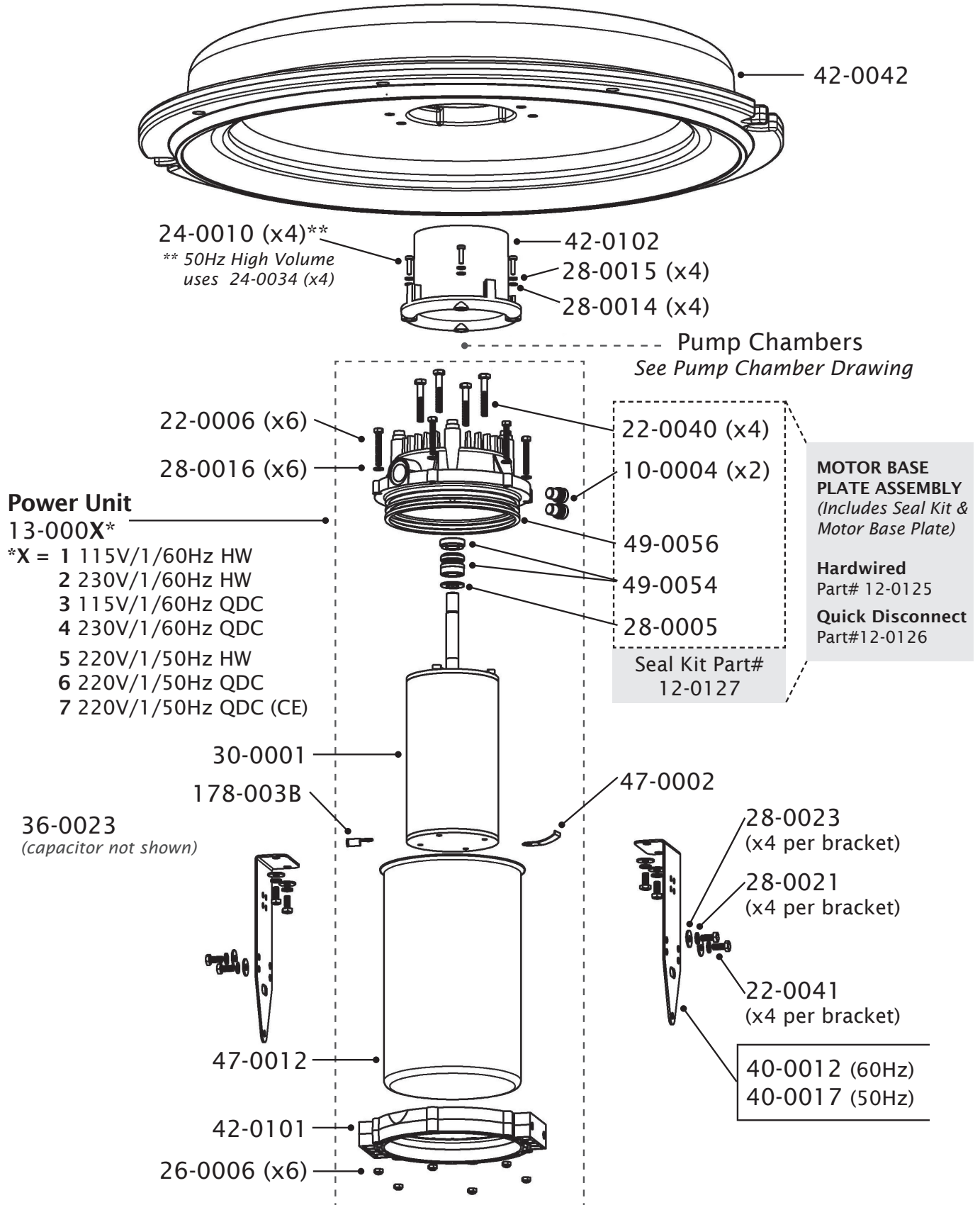


**FRACTIONAL SERIES PARTS**

Electrical/PCC Parts are on page 44

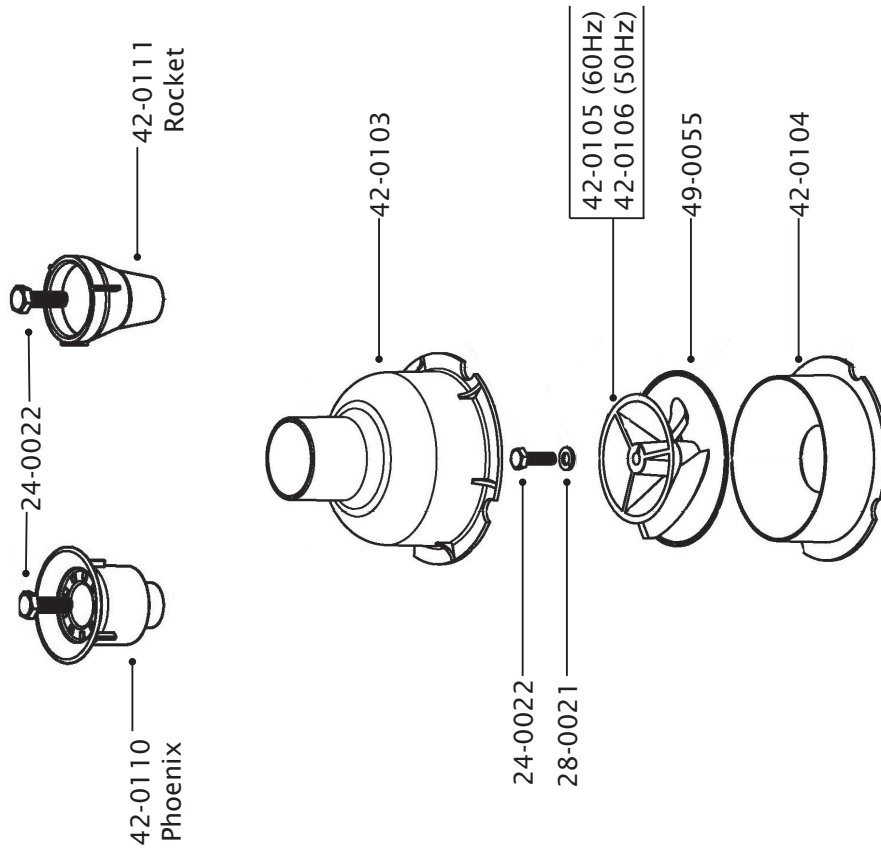
Exploded Part views are on pages 33-34

Part Number	Description
42-0108	PROP, OPEN THROAT 50Hz FS
42-0110	NOZZLE, PHOENIX FS
42-0111	NOZZLE, ROCKET FS
47-0012	HOUSING 316 S/S FS MOTOR
49-0054	SEAL, FS UNIT TYPE G ROTARY
49-0055	O-RING PUMP CHAMBER FS
49-0056	O-RING MOTOR BASE PLATE FS
49-0057	O-RING CONNECTOR LIGHTING JB
49-0059	O-RING CONNECTOR/BULKHEAD FS
BP2879	ELECTRICAL PLUG 1/2HP 115V
MP6511	PIGTAIL FRAC/IF/LITES 3PIN



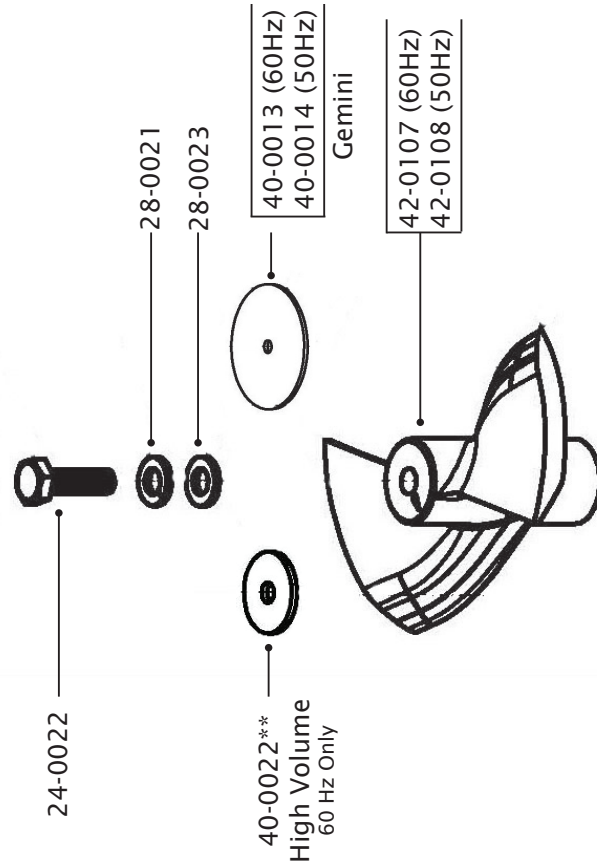
Part Numbers with Pricing can be found sequential on pages 31-32

DECORATIVE PUMPS  
Phoenix and Rocket



AERATION PUMPS  
Mixer\*, High Volume, Gemini

\* Slinger Discs are not used with Mixer



\*\* 50 Hz High Volume replaces slinger with 4 spacers mounted between motor base plate and Open Throat Chamber.  
[Throat Spacer = Part# 41-0064 (x4)]

AIR FLO 3 PARTS

Contact factory for exploded view drawings



Part Number	Description
09-3101-115	CABINET 1/2HP 1 VALVE 115V AF3
09-3101-220	CABINET 1/2HP 1 VALVE 220V AF3
09-3101-230	CABINET 1/2HP 1 VALVE 230V AF3
09-3102-115	CABINET 1/2HP 2 VALVE 115V AF3
09-3102-230	CABINET 1/2HP 2 VALVE 230V AF3
09-3103-115	CABINET 1/2HP 3 VALVE 115V AF3
09-3103-230	CABINET 1/2HP 3 VALVE 230V AF3
09-3104-115	CABINET 1/2HP 4VALVE 115V AF3
09-3104-230	CABINET 1/2HP 4VALVE 230V AF3
09-3202-115	CABINET 1HP 2 VALVE 115V AF3
09-3202-220	CABINET 1HP 2 VALVE 220V AF3
09-3202-230	CABINET 1HP 2 VALVE 230V AF3
09-3203-115	CABINET 1HP 3 VALVE 115V AF3
09-3203-230	CABINET 1HP 3 VALVE 230V AF3
09-3204-115	CABINET 1HP 4 VALVE 115V AF3
09-3204-230	CABINET 1HP 4 VALVE 230V AF3
09-3206-115	CABINET 1HP 6 VALVE 115V AF3
09-3206-230	CABINET 1HP 6 VALVE 230V AF3
09-3208-115	CABINET 1HP 8 VALVE 115V AF3
09-3208-230	CABINET 1HP 8 VALVE 230V AF3
10-0300	ASSEMBLY MANIFOLD PIPING AF3
10-0301	DIFFUSER BASE ASSY 1-12" DISCS
10-0302	DIFFUSER BASE ASSY 2-12" DISCS
12-0028	SERVICE KIT COMPRESSOR AF3 GST
12-0093-100	TUBING KIT WEIGHTED 100 FT
12-0093-500	TUBING KIT WEIGHTED 500 FT
12-0094-100	TUBING KIT UNWEIGHTED 100 FT
12-0215	KIT SPLICE AF3 TO AF2 HOSE
12-0218	SERVICE KIT COMPRESSOR AF3 TN
29-0008	WASHER 1/4 NYLON FLAT 0.073"
30-0041-115	COMPRESSOR 1/2HP 115V TN
30-0041-230	COMPRESSOR 1/2HP 230V TN
33-0012	CONNECTOR, 1/2 ST NM TUBING
33-0013	CONNECTOR, 1/2 2-HOLE CORD
34-0034	WRAP,WIRE SLEEVING, AIRFLO 3
36-0011	CAPACITOR AF3 230V TN12.5uF
36-0012	CAPACITOR AF3 115V TN20uF
40-0035	FRAME, SIDE INTAKE SCREEN AF3
41-0275	BRACE COMPRESSOR SUPPORT AF3

## AIR FLO 3 PARTS

**AIR FLO 3 PARTS**

Contact factory for exploded view drawings

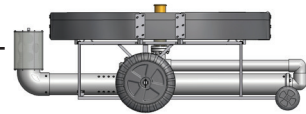
Part Number	Description
41-0276	PLUG DIFFUSER BASE MACH AF3
42-0008	BASE DOME DIFFUSER MANIFOLD
46-0062	MUFFLER, INTAKE AIRFLO 3
46-0064	LATCH LOCKABLE DRAW 300S/S
46-0069	DIFFUSER 12" DISC AIRFLO
46-0071	GROMMET 7/8IDx1-1/4OD SBR AF3
46-0072	GRILLE PLATED 150mm FAN
46-0105-250	PLUG 1/4"NPT HEX SOCKET, AF3
46-0124	CLAMP S/S WEIGHTED TUBE AIRFLO
46-0140	MOUNT COMPRESSR DAMPING AIRFL3
46-0162	FILTER, ELEMENT SOLBERG AF3
46-0217	CLAMP S/S 1/2" to 29/32"
56-0040	CAPACITOR AF3 115/230 30mfdGST
65-0061	ELBOW 3/4PVC SLIP SCH40
65-0062	COUPLING 3/4FPTx3/4FPT
65-0063	CAP 3/4FPT PVC
67-0008	COUPLING 1/2"BARB BRASS AIRFLO
67-0030	FITTING, 1/2"BARBx1/4MNPT AF3
67-0035	VALVE 30PSI RELIEF AIRFLO 3
67-0038	ELBOW BRASS STREET 90 AIRFLO3
67-0053	VALVE 1/4NPT MINIATURE BALL
67-0055	GAUGE 0-60PSI 1/4NPT LIQ FILL
67-0059	VALVE 3/8NPT MINIATURE BALL
67-0063	COUPLING 1/2"x 5/8" POLY BARB
67-0067	ELBOW 1/2" BARB x 1/2MNPT
67-0068	FITTING 1/2" BARB x 3/8MNPT
67-0070	FITTING, 1/2"BARBx1/2FNPT BRSS
67-0071	FITTING, 5/8"BARBx1/2MNPT BRSS
BP2875	OIL PLUG 1/6 HP / AF 2&3
31-0290	SWITCH 30A 2 POLE MOTOR START
31-0291	FAN 115V COOLING AIRFLO 3
31-0292	FAN 230V COOLING AIRFLO 3

**GIANT FOUNTAIN PARTS**

2nd Generation

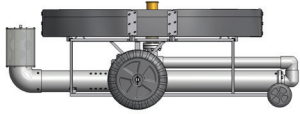
Electrical/PCC Parts are on pages 48-49

Contact factory for exploded view drawings



Part Number	Description
10-0039	VALVE ASSY 1.5" noCABLE WND CT
10-0040	VALVE ASSY 2" noCABLE WIND CNT
10-0137	RING ASSY AQUA/TRI 20 NOZZLES
10-0137-50	RING ASSY AQUA/TRI 20 NOZZ50HZ
10-0200	FRAME ASSEMBLY ALL 10/15HP GF2
10-0220	ASSEMBLY,FRAME ALL 25HP GF2
10-0222	ASSEMBLY, DISCHARGE PIPE, 76"
10-0223	ASSEMBLY, DISCHARGE PIPE, 80"
10-0224	ASSEMBLY, DISCHARGE PIPE, 84"
10-0225	ASSEMBLY, DISCHARGE PIPE, 94"
10-0226	ASSEMBLY, DISCHARGE PIPE, 100"
10-0230	SCREEN ASSEMBLY,INTAKE ALL GF2
10-0230-316	SCREEN ASSY, INTAKE 316SS GF2
10-0231	ASSEMBLY, INTAKE PIPE ALL GF2
10-0232	CONDUIT ASSEMBLY 50Hz GF2
10-0321	ASSY PATTERN RING MANIFOLD GF2
10-0322	ASSEMBLY, DISCHARGE PIPE, 76"
10-0323	PIPE ASSY w/4"FLANGE FOR 80"FS
10-0324	ASSEMBLY, DISCHARGE PIPE, 84"
10-0325	ASSEMBLY, DISCHARGE PIPE, 94"
10-0326	ASSEMBLY, DISCHARGE PIPE, 100"
12-0005	SPLICE KIT XL 1-9/16" MAX OD
12-0037	SPLICE KIT, UNIVERSAL GF2
12-0039	SPLICE KIT 6awg (ALL)
17-0016-001	QUICK DS 10/4sm FIELD APPLD GF
17-0016-002	QUICK DS 10/4&8/4 FIELD APP GF
17-0016-003	QUICK DS 6/4 FIELD APPLIED GF
17-0016-004	QUICK DS 4/4 FIELD APPLIED GF
178-011	PIGTAIL CONNECTOR GIANT FTN
178-013-R	PIGTAIL REVERSE GIANT FTN
178-014	PIGTAIL COUPLER GIANT FTN
178-021	PIGTAIL FEMALE 10/4 GIANT FTN
178-027	PROTECTOR PIGTAIL GF 3ph ONLY
20-0013	PIN, 0.1875 x 3" S/S COTTER
21-0005	STANDOFF M-F 1"x2-56 SCREW,HEX
21-0006	STANDOFF F-F 1"x2-56 SCREW,HEX
22-0012	BOLT HEX FLNGE SS 5/16-18x5/8"
24-0009	SCREW TRUSS SLTD S/S 8-32x5/16
26-0009	NUT HEX S/S 5/8-11
28-0011*10	WASHER FLAT S/S 5/8" QTY 10

## GIANT FOUNTAIN PARTS (2ND GEN)

**GIANT FOUNTAIN PARTS**

2nd Generation

Electrical/PCC Parts are on pages 48-49

Contact factory for exploded view drawings

Part Number	Description
28-0024	WASHER SPLIT LOCK S/S 1/4"
30-0003-100	MOTOR 10HP GF STD 208V 3Ph60Hz
30-0003-150	MOTOR 15HP GF STD 208/3/60
30-0003-250	MOTOR 25HP GF STD 208/3/60
30-0004-100	MOTOR 10HP GF STD 230V 1Ph60Hz
30-0004-150	MOTOR 15HP GF SF 230/1/60
30-0005-100	MOTOR 10HP GF STD 230V 3Ph60Hz
30-0005-150	MOTOR 15HP GF STD 230/3/60
30-0005-250	MOTOR 25HP GF STD 230/3/60
30-0006-100	MTR 10HP GF 460 60 380/415 50
30-0006-150	MTR 15HP GF 460/60 380-415/50
30-0006-250	MTR 25HP GF 460/60 380-415/50
30-0007-100	MOTOR 10HP GF STD 380/3/60
30-0007-150	MOTOR 15HP GF STD 380/3/60
30-0007-250	MOTOR 25HP GF STD 380/3/60
30-0010-100	PUMP 10HP 60Hz STANDARD
30-0010-150	PUMP 15HP 60Hz STANDARD
30-0010-250	PUMP 25HP 60Hz STANDARD
30-0023-100	MTR 10HP STD SUBTROL 208/3/60
30-0023-150	MTR 15HP STD SUBTROL 208/3/60
30-0023-250	MTR 25HP STD SUBTROL 208/3/60
30-0024-100	MTR 10HP S SBTRL 460/380 60/50
30-0024-150	MTR 15HP S SBTRL 460/380 60/50
30-0024-250	MTR 25HP S SBTRL 460/380 60/50
30-0038-100	MTR 10HP 575/3/60 316SS SUBTRL
30-0038-150	MTR 15HP 575/3/60 316SS SUBTRL
30-0038-250	MTR 25HP S/S SUBTROL 575V 60Hz
33-0019-004	CONNECTOR LONG BARREL 4awg
33-0019-006	CONNECTOR LONG BARREL 6awg
33-0019-008	CONNECTOR LONG BARREL 8awg
35-0001	STRAIN RELIEF 10/4 SOW CABLE
35-0002	STRAIN RELIEF 8/3 SOW CABLE
35-0003	STRAIN RELIEF 8/4&6/3 SOW CABL
35-0004	STRAIN RELIEF 6/4&4/3 SOW CABL
35-0005	STRAIN RELIEF 4/4 SOW CABLE
35-0006-001	PIGTAIL MALE 6/4 & SMALLER GF
35-0006-002	PIGTAIL FEMALE 6/4&SMALLER GF
35-0007-001	PIGTAIL MALE 4/4 GIANT FTN
35-0007-002	PIGTAIL FEMALE 4/4 GIANT FTN
35-0016	PIGTAIL FEMALE CE GF & AFL

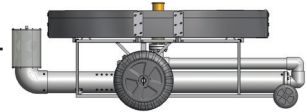


**GIANT FOUNTAIN PARTS**

2nd Generation

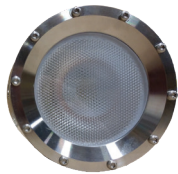
Electrical/PCC Parts are on pages 48-49

Contact factory for exploded view drawings



Part Number	Description
35-0017	PIGTAIL MALE CE GF & AFL
35-0020	STRAIN RELIEF 12/4(CE CABLE)
36-0011-001	LEADS STD 6" MOTOR ALL HPs GF
36-0011-002	LEADS NiR/316 6"MTR ALL HPs GF
40-0039	PLATE OUTSIDE FLOAT GIANT FTN
40-0057	BRACKET A PATTRN RING 25HP GF2
40-0058	BRACKET B PATTERN RING ALL GF
40-0092	SCREEN S/S SM MYS/POL NOZZLE
40-0093	SCREEN S/S LG MYS/POL NOZZLE
40-0215	AXLE, SMALL WHEEL, ALL GF2
41-0019	NOZZLE 15HP 50/60Hz POLARIS
41-0033	NIPPLE PVC w/HOLES WIND CNTL
41-0053-100	NOZZLE 10HP 50/60Hz MYSTIC
41-0053-150	NOZZLE 15HP 50/60Hz MYSTIC
41-0053-250	NOZZLE 25HP 60Hz MYS & POL
41-0200	BUSHING LARGE WHEEL GF2
41-0260	SUPPORT MOTOR 8"LONG GIANT GF2
41-0261	WHEEL,SMALL POLY,MACHINED GF2
41-0262	WHEEL, LARGE POLY MACHINED GF2
41-0281	NOZZLE 3/8NPTx.375"IDx1.5"L
42-0004	FLOAT GNT FTN 1/4 SCT UNFOAMED
42-0005	FLOAT GIANT FTN 16" EXTDG SECT
46-0026	PLUG EXPANSION FLOAT GIANT FTN
46-0032	CLAMP CONDUIT 1 25" GIANT FTN
46-0036	HOSE1 25"ID VERSIFLO LGTH 1 FT
46-0037	CLAMP HOSE WORM-DRIVE 1 25"
46-0045	CLAMP HOSE WORM-DRIVE 2 25"
46-0082	PLUG BRASS 1/8"NPT GIANT FTN
48-0007	SEALANT THREAD LOCTITE 567
48-0008	CEMENT PVC GREY QUART
48-0009	PRIMER PVC/CPVC CLEAR QUART
48-0016	ANTISEIZE 1GM PACK SINGLE USE
49-0053	O-RING QUAD, GF2 PATTERN HEAD
49-0062	GASKET 2" SBR RING FLANGE
49-0063	GASKET 3" SBR RING FLANGE
49-0064	GASKET 4" SBR RING FLANGE
64-0006	SLEEVE S/S MYSTIC LG NOZZLE GF
64-0007	SLEEVE S/S MYSTIC SM NOZZLE GF
65-0027	NIPPLE PVC SCH 80 1 5"NPT X 2"
65-0030	CAP THREADED 1 5"NPT PVC SCH80

## LIGHT PARTS

**LIGHT PARTS**

Electrical/PCC Parts are on pages 49-51

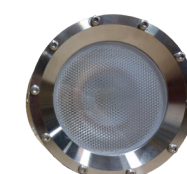
Exploded part views are on page 43

Part Number	Description
12-0808	2 LAMP MINI-RGBW UPGRADE KIT
02-0059-002	2 LIGHT SET MIDI 9W UPGRADE
02-0059-003	3 LIGHT SET MIDI 9W UPGRADE
02-0059-004	4 LIGHT SET MIDI 9W UPGRADE
02-0059-006	6 LIGHT SET MIDI 9W UPGRADE
02-0059-008	8 LIGHT SET MIDI 9W UPGRADE
09-0029	MR16 LITE HOUSING ASSY NO BULB
09-0030-006	BULB & ORING COOL 6.5W LED FLD
09-0030-007	BULB & ORING WARM 6.5W LED FLD
09-0030-008	BULB & ORING COOL 6.5W LED NF
09-0030-009	BULB & ORING WARM 6.5W LED NF
09-0030-050	BULB & O-RING 50W HALOGEN
09-0030-060	BULB & ORING RGBW 4W MR16
09-0502	2 LIGHT LED SPLITTER/HSG ASSY
09-0504	4 LIGHT LED SPLITTER/HSG ASSY
09-0506	6 LIGHT LED SPLITTER/HSG ASSY
09-0511	MIDI REPLACEMENT 9W RGBW
09-0534	4 LIGHT LED GF SPLTR/HSG ASSY
10-0066	CLAMP ASSY MR16 PLASTIC LIGHT
101-023*10	BOLT HEXS/S 5/16-18x2 75 QTY10
12-0049	SPLICE KIT 16/2 LOW VOLT (12V)
12-0085	LED LENS KIT RD/BL/GRN/YL/PNK
12-0086	BRACKET KIT MR16 STD LIGHT IF
12-0091	LED LENS SINGLE CHOOSE COLOR
12-0098	BRKT/HW KIT MR16 LIGHT C3/C2
12-0216	FRAC STAND LIGHT BRACKET KIT
12-0539-040	40W RGBW LENS REPLACE KIT
12-0539-080	80W RGBW LENS REPLACE KIT
12-0547-040	40W RGBW LIGHT REPLACE KIT
12-0547-080	80W RGBW LIGHT REPLACE KIT
22-0029	BOLT HEX S/S M6x30
24-0016	BOLT HEX S/S 1/4-20x1 5"
24-0017	BOLT HEX S/S 1/4-20x5/8"
24-0018	SCREW PAN PHIL S/S M4x10
24-0019	SCREW PAN PHIL S/S M6x12
28-0001	WASHER FENDER S/S 1/4"x1 5"OD
28-0006	WASHER EXT STAR S/S 5/16"
28-0013*10	WASHER EXT STAR S/S 1/4" QTY10
28-0020	WASHER FLAT S/S M6

**LIGHT PARTS**

Electrical/PCC Parts are on pages 49-51

Exploded part views are on page 43



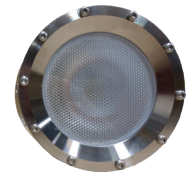
Part Number	Description
28-0021	WASHER SPLIT LOCK S/S M6
28-0022	WASHER INT STAR S/S M4
29-0005	WASHER NYLON PLAS LIGHT MR16
31-0005-250	BULB HALOGEN 250W 120V
31-0005-500	BULB HALOGEN 500W 120V
31-0303	REMOTE 2.4GHz 4 ZONE MINI-RGBW
35-0013	BULKHEAD CONN 2 PIN STD LITES
35-0014	PIGTAIL LIGHTS LED/MIDI 2PIN
35-0022	SPLITTER 16/2 2-LIGHT LED
35-0023	SPLITTER 16/2 3-LIGHT LED
35-0024	SPLITTER 16/2 4-LIGHT LED
35-0025	SPLITTER 16/2 4-LIGHT LED GF
35-0026	SPLITTER 16/2 6-LIGHT LED
35-0030	PIGTAIL MALE 16/5 5-PIN
40-0050	BRACKET S/S INSIDE LITE GT FTN
40-0060	BRACKET S/S OUTER DOUBLE LIGHT
40-0100	BRACKET S/S MR16 LIGHT C2 & C3
40-0105	BRACKET S/S MR16 LIGHT C2 & IF
42-0030	RING PLASTIC LIGHT MR16
46-0076	MOUNT VIBRATION DAMPENING S/S
46-0111	ADAPTOR S/S CLAMP 1/4-20
47-0004	LENS CLEAR GLASS MR16 LIGHT
49-0014	O-RING MR16 PLASTIC HOUSING
614-016	SPLICE KIT SM 12/3 LIGHT/FAC
65-0026	BUSHING POLY 3/4"MNPTx1/2"FNPT
800-011*10	WASHER FENDER S/S #10x1" QTY10
C2-1115*10	BLADES STA-CON QTY 10
C2-1120	SPACER 1" 8-32 THREAD
C2-1152*10	SCREW BRASS SEQUNCER QTY 10
CP4070	CLAMP STAINLESS STEEL
GP1200	SCREW LITE U-BRACKET
GP1202*10	WASHER FLAT NYLON #10 QTY 10
GP1207	NUT NYLON LOCK 316S/S #10-24
GP1207*10	NUT LOCK 316S/S #10-24 QTY 10
GP1208	NUT NYLON LOCK 316S/S 5/16-18
GP1208*10	NUT LOCK 316S/S 5/16"-18 QTY10
GP1211	NUT HEX S/S 8-32
GP1211*10	NUT LITE RETAINING RING QTY 10
GP1225	PROTECTR PIGTAIL LED/FAC/RGBW

## LIGHT PARTS

**LIGHT PARTS**

Electrical/PCC Parts are on pages 49-51

Exploded part views are on page 43



Part Number	Description
GP1300*10	FORK CONNECTOR LITE QTY 10
GP1720	BULKHEAD CONNECTOR 5 PIN SEQ
GP1721	PIGTAIL SEQUENCER 5PIN
GP1724	GROUND LUG
GP2500	SCREW RDHD PH S/S #10-24x3/8
GP5003	STRAIN RELIEF JCTN BOX JUMPER
GP5008	TY-RAP BLACK MEDIUM SIZE
GP5011	WASHER FLAT S/S #10
GP5012*10	CONNECTOR RING 12-10awg QTY 10
GP5102	LENS CLEAR GLASS
GP5102B	LENS BLUE GLASS
GP5102G	LENS GREEN GLASS
GP5102R	LENS RED GLASS
GP5102Y	LENS YELLOW GLASS
GP6005	BRACKET U HI-INT LITE
GP8405*10	SCREW ALUM LITE GROUND QTY 10
GP8506*10	SCREW S/S #8x1/2" TYPE A QTY10
MP6510	BULKHEAD CONN 3 PIN FRAC/LITES
MP6512	PIGTAIL NUT 3 PIN SMALL
MP6513	PIGTAIL WASHER 3 PIN SMALL
MP6514	REVERSE PIGTAIL 2PIN SPLITTER

Part Numbers with Pricing can be found sequential on pages 40-42

**ENTIRE FIXTURE IS PART #09-0029:**

Includes 5.5ft (1.7m) 16/2 light cable and all items shown in illustration EXCEPT the bulb.

Clamp Assembly part# **10-0066** is ordered separately.

42-0030

47-0004

09-0030-XXX\*

Halogen

\* XXX = 050 (50W)

Mini-RGBW

\* XXX = 060 (4W)

LED

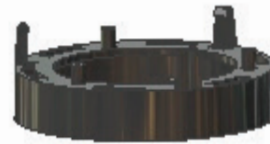
\* XXX = 006 (Bright/Flood)

007 (Warm/Flood)

008 (Bright/Narrow)

009 (Warm/Narrow)

**NOTE:** Flood bulbs are used on our 1HP-5HP LED light systems. A combination of narrow and flood can be used on our Giant Fountain LED light systems.



49-0014

**MR16 LIGHT FIXTURE**

- 50W HALOGEN
- 6.5W LED
- 4W MINI-RGBW LIGHTS

**MR16 SPLITTER CABLE ASSEMBLY (MR16 LED Light Sets)**



10-0066

Clamp Assembly is not included and is purchased separately

MP6514

2 PIN Reverse Pigtail can also be purchased separately

- 09-0502 2-Light
- 09-0504 4-Light
- 09-0506 6-Light
- 09-0534 4-Light Giant Fountain

**Splitter Cable Assemblies Available:** Light housings are potted directly to splitter cables, bulbs purchased separately.

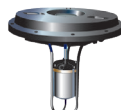
*(4-Light Splitter Assembly Shown)*

Splice Kit **12-0049** is used to splice low voltage cable between light fixtures & junction box/connections

**MINI-RGBW & MIDI-RGBW LIGHT KIT UPGRADES AVAILABLE!**

Customers with an existing low voltage LED Light Set with a 2PIN connection can upgrade to one of our new color changing lights! NO PCC required, just swap out the light fixtures for dynamic color displays! *(not eligible for Giant Fountain LED light Systems.)*

**See page 40 for pricing,** package details can be found in the Whole Goods price list.



### ELECTRICAL/PCC PARTS

PCC's are available with Digital or Mechanical Timers (M-TMR/MT) 1/2HP - 5HP Aerator & Fountain Systems

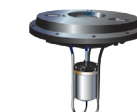
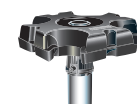
Part Number	Description
11-0020-115	CONTROLS PKG FRAC UNT 115V60Hz
11-0024-230	CONTROLS PKG FRAC UNT 230V60Hz
11-0024-230M	PCC FRAC UNIT 230/1/60 MTMR
11-3001-116	PCC 1HP 115V/1PH/60HZ
11-3001-116M	PCC 1HP 115V/1PH/60HZ M-TMR
11-3001-216	PCC 1HP 230V/1PH/60HZ
11-3001-216M	PCC 1HP 230V/1PH/60HZ M-TMR
11-3002-216	PCC 2HP 230V/1PH/60HZ
11-3002-216M	PCC 2HP 230V/1PH/60HZ M-TMR
11-3003-216	PCC 3HP 230V/1PH/60HZ
11-3003-216M	PCC 3HP 230V/1PH/60HZ M-TMR
11-3003-236	PCC 3HP 230V/3PH/60HZ
11-3003-236M	PCC 3HP 230V/3PH/60HZ M-TMR
11-3003-436	PCC 3HP 460V/3PH/60HZ
11-3003-436M	PCC 3HP 460V/3PH/60HZ M-TMR
11-3005-216	PCC 5HP 230V/1PH/60HZ
11-3005-216M	PCC 5HP 230V/1PH/60HZ M-TMR
11-3005-236	PCC 5HP 230V/3PH/60HZ
11-3005-236M	PCC 5HP 230V/3PH/60HZ M-TMR
11-3005-436	PCC 5HP 460V/3PH/60HZ
11-3005-436M	PCC 5HP 460V/3PH/60HZ M-TMR
11-3011-116	PCC 1HP 115V/1PH/60HZ LIGHTS
11-3011-116M	PCC 1HP 115V/1PH/60HZ LGHTS MT
11-3011-216	PCC 1HP 230V/1PH/60HZ LIGHTS
11-3011-216M	PCC 1HP 230V/1PH/60HZ LGHTS MT
11-3012-216	PCC 2HP 230V/1PH/60HZ LIGHTS
11-3012-216M	PCC 2HP 230V/1PH/60HZ LGHTS MT
11-3013-216	PCC 3HP 230V/1PH/60HZ LIGHTS
11-3013-216M	PCC 3HP 230V/1PH/60HZ LGHTS MT
11-3013-236	PCC 3HP 230V/3PH/60HZ LIGHTS
11-3013-236M	PCC 3HP 230V/3PH/60HZ LGHTS MT
11-3013-436	PCC 3HP 460V/3PH/60HZ LIGHTS
11-3013-436M	PCC 3HP 460V/3PH/60HZ LGHTS MT
11-3015-216	PCC 5HP 230V/1PH/60HZ LIGHTS
11-3015-216M	PCC 5HP 230V/1PH/60HZ LGHTS MT
11-3015-236	PCC 5HP 230V/3PH/60HZ LIGHTS
11-3015-236M	PCC 5HP 230V/3PH/60HZ LGHTS MT
11-3015-436	PCC 5HP 460V/3PH/60HZ LIGHTS
11-3015-436M	PCC 5HP 460V/3PH/60HZ LGHTS MT
12-0079	KIT HUBBELL GFCI RETROFIT SW

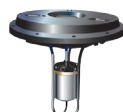
**ELECTRICAL/PCC PARTS:**

PCC's are available with Digital or Mechanical Timers (M-TMR/MT)

1/2HP - 5HP Aerator &amp; Fountain Systems

Part Number	Description
12-0116	KIT TIMER 7DAY DIG 120V 60Hz
12-0116M	KIT TIMER 24HR MECH 120V 60Hz
12-0117	KIT TIMER 7DAY DIG 220V 50Hz
12-0118	KIT TIMER 7DAY DIG 24VDC
12-0118M	KIT TIMER 24HR MECH 24VDC
27-0030	NUT CAP 10-32 - RED DOOR PCC
31-0001	SWITCH STOP COMPLETE 22mm EATN
31-0002	SWITCH STRT COMPLETE 22mm EATN
31-0003	SWITCH ESTOP COMPLET 22mm EATN
31-0008-140	FUSE TIME DELAY 250V 1 4A
31-0009-010	FUSE TIME DLY CURR LIMT CC 10A
31-0009-012	FUSE TIME DLY CURR LIMT CC 12A
31-0009-030	FUSE TIME DLY CURR LIMT CC 30A
31-0011	GFCI MODULE HUBBELL:GFSMST120A
31-0029	GFCI/EPD 480V 5/10/30 COMPACT
31-0034	LIGHT INDICATOR 22mm EATON
31-0049-215	GFCI BREAKER 15A 2 POLE
31-0049-230	GFCI BREAKER 30A 2 POLE 1PH
31-0049-240	GFCI BREAKER 40A 2 POLE
31-0049-250	GFCI BREAKER 50A 2 POLE
31-0055-125	BREAKER 115V 25A 1 POLE
31-0055-250	BREAKER 240V 50A 2 POLE
31-0055-330	BREAKER 240V 30A 3 POLE
31-0056-002	BREAKER MOUNTING BASE 2 POLE
31-0056-003	BREAKER MOUNTING BASE 3 POLE
31-0098-315	BREAKER 15A 460V 3Ph EPD
31-0115	TRANSFORMER 50VA w/FUSE BLOCK
31-0134-050	TRANSF 50VA 380/415to110/220
31-0142-001	NEUTRAL BAR KIT
31-0155	BRACKET QCR BREAKER MOUNTING
31-0158	PHASE MONITOR 190-480V 50/60Hz
31-0168	TIMING MODULE ON DELAY SIEMENS
31-0172-050	TRANSFORMER 50VA 575 to 110
31-0200	MOTOR PROTECTOR EATON
31-0201	MOTOR PROTECTOR C2/C3 3HP 460V
31-0202	MOTOR PROTECTOR EATON +
31-0203	MOTOR PROTECTOR EATON 12A
31-0204	MOTOR PROTECTOR EATON +
31-0206	MOTOR PROTECTOR 5HP 230V/1/60
31-0220	CONTACTOR 3HP 460V/3PH/60HZ





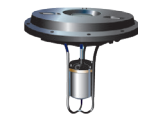
### ELECTRICAL/PCC PARTS

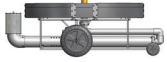
Part Number	Description	1/2HP - 5HP Aerator & Fountain Systems
31-0221	CONTACTOR EATON 9A +	
31-0222	CONTACTOR EATON 12A	
31-0223	CONTACTOR EATON 15A 60Hz +	
31-0224	CONTACTOR EATON 25A +	
31-0230	CONTACTOR 3HP 400V/3PH/50HZ	
31-0231	CONTACTOR 3&5HP 400V/3Ph/50Hz	
31-0233	CONTACTOR EATON 15A 50Hz +	
31-0234	CONTACTOR EATON 25A +	
31-0235	CONTACTOR EATON 32A 230V	
31-0240	SWITCH, EATON 3 POS SELECTOR	
31-0242	CONNECTOR, EATON B FRAME	
31-0243	CONNECTOR, EATON B TO C FRAME	
31-0245	SWITCH, EATON AUX CONTACT	
31-0245-001	SWITCH, EATON AUX 1NO 1NC	
31-0246	KIT, EATON NEUTRAL BAR	
31-0247	MODULE SHUNT TRIP EATON MMP	
31-0250	30A DISCONNECT SWITCH EATON	
31-0251	40A DISCONNECT SWITCH EATON	
31-0252	60A DISCONNECT SWITCH EATON	
31-0253	80A DISCONNECT SWITCH EATON	
31-0254	100A DISCONNECT SWITCH EATON	
31-0260	DISCONNECT SWITCH SHAFT EATON	
31-0261	DISCONNECT SWITCH HANDLE EATON	
31-0262	DISCONNECT SW LONG SHAFT EATON	
31-0311	DISCONNECT HANDLE	
31-0312-150	BREAKER UL489 15A 460V 3P	
31-0312-200	BREAKER UL489 20A 460V 3P	
31-0312-250	BREAKER UL489 25A 460V 3P	
31-0312-320	BREAKER UL489 32A 460V 3P	
31-0313	SHUNT TRIP FOR FAZ BREAKERS	
31-0314	GF SENSOR TRI-SET 24VDC AUTO	
31-0315	DIN RAIL ANGLED SUPPORT	
31-0316-09	CONTACTOR 9A 24VDC	
31-0316-18	CONTACTOR 18A 24VDC	
31-0316-25	CONTACTOR 25A 24VDC	
31-0317-09	CONTACTOR 9A 120VAC	
31-0317-12	CONTACTOR 12A 120VAC	
31-0317-15	CONTACTOR 15A 120VAC	
31-0317-25	CONTACTOR 25A 120VAC	
31-0317-32	CONTACTOR 32A 120VAC	



**ELECTRICAL/PCC PARTS**

Part Number	Description	1/2HP - 5HP Aerator & Fountain Systems
31-0317-50	CONTACTOR 50A 120VAC	
31-0318-04	OVERLOAD 2.8 TO 4A	
31-0318-06	OVERLOAD 4 TO 6.3A	
31-0318-08	OVERLOAD 5.6 TO 8A	
31-0318-10	OVERLOAD 7 TO 10A	
31-0318-12	OVERLOAD 8 TO 12.5A	
31-0318-17	OVERLOAD 11 to 17	
31-0318-23	OVERLOAD 15 TO 23A	
31-0318-32	OVERLOAD 22 TO 32A	
31-0318-40	OVERLOAD 32 TO 40A	
31-0318-50	OVERLOAD 32 TO 50A	
31-0321	DIN RAIL SUPPORT BRACKET 90MM	
31-0323	FUSE HOLDER HPG	
31-0324-020	THERMAL CIRCUIT BREAKER 2A	
31-0324-025	THERMAL CIRCUIT BREAKER 2.5A	
31-0324-040	THERMAL CIRCUIT BREAKER 4A	
31-0324-050	THERMAL CIRCUIT BREAKER 5A	
31-0324-060	THERMAL CIRCUIT BREAKER 6A	
31-0324-080	THERMAL CIRCUIT BREAKER 8A	
31-0325	3 POSITION SELECT SWITCH	
31-0327	CONTACT BLOCK NO	
31-0328	HAND-OFF-AUTO-LEGEND	
31-0329	HOA SWITCH	
31-0335	PHASE MONITOR RELAY 460V	
31-0344	OFF-ON-LEGEND	
31-0358-200	BREAKER 200A 3 POLE	
32-0002	SWING PANEL W/ LIGHTS 115/230V	
32-0003	SWING PANEL NO LITES 460V/60Hz	
32-0004	SWING PANEL W/ LITES 460V/60Hz	
32-0068	CLAMP ASSY N4X S/S ENCLOSURE	
33-0017	TERMINAL BLOCK PCC w/SWING PNL	
33-0024	COVER TERM BLK PCC w/SWING PNL	
37-0013	ASSEMBLY, PHASE MONITOR KIT	
37-0015	ASSY EATON GFCI SUBPANEL MOUNT	
37-0016	ASSY EATON GFCI SW NO LIGHTS	
37-0017	ASSY EATON GFCI SW W/ LIGHTS	
41-0109	KIT, EATON DISCONNECT HANDLE	
HP1505	SURGE ARRESTOR 1Ph w/o BRKT	
HP1506	SURGE ARRESTOR 3Ph w/o BRKT	
HP1507	BRACKET DELTA SURGE ARRESTOR	





### ELECTRICAL/PCC PARTS

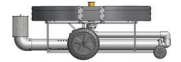
Giant Fountains (10HP-25HP)

Part Number	Description
01-0004-001	WND CONT OFF ALL 60 NP
01-0004-007	WND CTRL OFF 230V ALL 50 NP
11-7010-216	PCC 10HP 230/1/60 GF2
11-7010-236	PCC 10HP 230/3/60 GF2
11-7010-335	PCC 10HP 380/3/50 GF2
11-7010-435	PCC 10HP 415/3/50 GF2
11-7010-436	PCC 10HP 460/3/60 GF2
11-7010-536	PCC 10HP 575/3/60 GF2
11-7015-216	PCC 15HP 230/1/60 GF2
11-7015-236	PCC 15HP 230/3/60 GF2
11-7015-335	PCC 15HP 380/3/50 GF2
11-7015-435	PCC 15HP 415/3/50 GF2
11-7015-436	PCC 15HP 460/3/60 GF2
11-7015-536	PCC 15HP 575/3/60 GF2
11-7025-236	PCC 25HP 230/3/60 GF2
11-7025-335	PCC 25HP 380/3/50 GF2
11-7025-435	PCC 25HP 415/3/50 GF2
11-7025-436	PCC 25HP 460/3/60 GF2
11-7025-536	PCC 25HP 575/3/60 GF2
11-7310-236	PCC 10HP 230/3/60 SUBMON GF2
11-7310-335	PCC 10HP 380/3/50 SUBMON GF2
11-7310-435	PCC 10HP 415/3/50 SUBMON GF2
11-7310-436	PCC 10HP 460/3/60 SUBMON GF2
11-7310-536	PCC 10HP 575/3/60 SUBMON GF2
11-7315-236	PCC 15HP 230/3/60 SUBMON GF2
11-7315-335	PCC 15HP 380/3/50 SUBMON GF2
11-7315-435	PCC 15HP 415/3/50 SUBMON GF2
11-7315-436	PCC 15HP 460/3/60 SUBMON GF2
11-7315-536	PCC 15HP 575/3/60 SUBMON GF2
11-7325-236	PCC 25HP 230/3/60 SUBMON GF2
11-7325-335	PCC 25HP 380/3/50 SUBMON GF2
11-7325-435	PCC 25HP 415/3/50 SUBMON GF2
11-7325-436	PCC 25HP 460/3/60 SUBMON GF2
11-7325-536	PCC 25HP 575/3/60 SUBMON GF2
31-0055-290	BREAKER 240V 90A 2 POLE
31-0055-3100	BREAKER 240V 100A 3 POLE
31-0088-100	CAPACITOR BOX DLX 10HP 1Ph
31-0090-150	CAPACITOR BOX DLX 15HP 1Ph
31-0099	TRANSFORMER 200VA w/FUSE BLOCK
31-0134-100	TRANSF 100VA 380/415to110/220

**ELECTRICAL/PCC PARTS**

Giant Fountains (10HP-25HP)

Part Number	Description
31-0205	MOTOR PROTECTOR 15HP 575V/3/60
31-0207	MOTOR PROTECTOR EATON (NOTES)
31-0208	MOTOR PROTECTOR EATON 32A
31-0209	MOTOR PROTECTOR EATON (NOTES)
31-0210	MOTOR PROTECTOR EATON 50A
31-0211	MOTOR PROTECTOR EATON 58A
31-0212	MOTOR PROTECTOR EATON 63A
31-0225	CONTACTOR EATON 32A
31-0226	CONTACTOR EATON 40A
31-0227	CONTACTOR EATON 50A
31-0228	CONTACTOR EATON 65A
31-0229	CONTACTOR EATON 80A
31-0236	CONTACTOR EATON 40A 230V
31-0237	CONTACTOR 25HP 400V/3Ph/50Hz
31-0238	CONTACTOR EATON 25HP 50HZ
31-0239	CONTACTOR EATON 80A
31-0244	CONNECTOR, EATON D FRAME
31-0249	OVERLOAD RELAY EATON 65-70A
31-0255	200A DISCONNECT SWITCH EATON
38-0002	ANEMOMETER WIND CNTL GIANT FTN
38-0003	ANEMOMETER CABLE 60' GIANT FTN
38-0004	MAST ANEMOMETER MTG WIND CNTL
38-0006	WIND CONTRL BOARD 120V 60HZ GF
38-0007	WIND CONTRL BOARD 230V 50HZ GF
41-0114	SHAFT,EATON MMP 1-3/8" MACH

**ELECTRICAL/PCC PARTS**

Light Systems: LED, RGBW and High Voltage

Part Number	Description
11-0008-050	LIGHT CONTROLS 220V 50Hz MR16
11-0008-060	LIGHT CONTROLS 115V SUBPNL MNT
11-0008-160	LIGHT CONTROLS MR16 SW PNL MNT
11-0008-261	LIGHT CONTROL 10A SUBPNL EATON
11-0008-361	LIGHT CONTROL 15A SUBPNL EATON
11-0008-461	LIGHT CONTROL 20A SUBPNL EATON
11-1502	LIGHT CONTROL 2 LED SWPNL 60Hz
11-1504	LIGHT CONTROL 4 LED SWPNL 60Hz
11-1506	LIGHT CONTROL 6 LED SWPNL 60Hz
11-1508	LIGHT CONTROL 8 LED SWPNL 60Hz
11-1512	LIGHT CONTROL 2LED SUBPNL 60Hz





### ELECTRICAL/PCC PARTS

Light Systems: LED, RGBW and High Voltage

Part Number	Description
11-1514	LIGHT CONTROL 4LED SUBPNL 60Hz
11-1516	LIGHT CONTROL 6LED SUBPNL 60Hz
11-1518	LIGHT CONTROL 8LED SUBPNL 60Hz
11-1522	PCC 2 MR16 LED CONTROLS 50Hz
11-1524	PCC 4 MR16 LED CONTROLS 50Hz
11-1526	PCC 6 MR16 LED CONTROLS 50Hz
11-1528	PCC 8 MR16 LED CONTROLS 50Hz
11-1532	LIGHT CONTROL 2LED SUBPNL 50Hz
11-1534	LIGHT CONTROL 4LED SUBPNL 50Hz
11-1536	LIGHT CONTROL 6LED SUBPNL 50Hz
11-1538	LIGHT CONTROL 8LED SUBPNL 50Hz
11-1608	PCC 8 LIGHT MR16 LED 60Hz GF
11-4000-116	PCC RGBW 40W 115/1/60 DIGTIMER
11-4000-116M	PCC RGBW 40W 115/1/60 M-TMR
11-4000-215	PCC RGBW LIGHTING 40W 220/1/50
11-4001-215	PCC RGBW LIGHTING 40W CE 50Hz
11-8000-116	PCC RGBW 80W 115/1/60 DIGTIMER
11-8000-116M	PCC RGBW 80W 115/1/60 M-TMR
11-8000-215	PCC RGBW LIGHTING 80W 230/1/50
11-8001-215	PCC RGBW LIGHTING 80W CE 50Hz
12-0160	LIGHT CTL KIT HI SWPNL115/230+
12-0161	LIGHT CTL KIT HV SWPNL115/230+
12-0209	KIT, 75mm DIN RAIL
12-0260	LIGHT CTL KIT HI SWPNL460/50H+
12-0261	LIGHT CTL KIT HV SWPNL460&50H+
17-0013	TRANSFORMER NO NEUTRAL 50VA
17-0018	PANEL/LED LIGHTING/12X10FG
17-0041	TRANSFORMER NO NEUTRAL 100VA
17-0080	TRANSFORMER MR16LED/NO NEUT SW
31-0008	FUSE COVER CLASS CC 30A FUSE
31-0008-004	FUSE TIME DELAY 500V 4A
31-0008-100	FUSE TIME DELAY 250V 1A
31-0024	TRANS/PHOTOCELL 20W/LED FRAC
31-0049-125	GFCI BREAKER 25A 1 POLE
31-0049-130	GFCI BREAKER 30A 1 POLE
31-0056-001	BREAKER MOUNTING BASE 1 POLE
31-0061-001	FUSE TIME DELAY CLASS CC 1A
31-0065	CONTACTS AUX 1NO-3NC EATON
31-0068	BREAKER 8A MR16 LTS DINRAIL MT
31-0082-001	RELAY 25A SOLID ST DC CONTROL

**ELECTRICAL/PCC PARTS**

Light Systems: LED, RGBW and High Voltage

Part Number	Description
31-0082-002	RELAY 25A SOLID ST AC CONTROL
31-0167	AUX CONTACT LIGHT CTRL SIEMENS
31-0270	POWER SUPPLY, 30W 15VDC, LED
31-0271	POWER SUPPLY, 60W 15VDC, LED
31-0272	POWER SUPPLY, 100W 15VDC, LED
31-0273	POWER SUPPLY 150W 30VDC RGBW
31-0274	POWER SUPPLY 240W 30VDC RGBW
31-0275	POWER SUPPLY 12VDC 12W RGBW
31-0319	POWER SUPPLY, 100W 24VDC
31-0320	POWER SUPPLY 120W 460VAC 24VDC
31-0352	POWER SUPPLY, 15W 5VDC
37-0003	FUSE HOLDER w/COVER 1 POLE 30A
614-052	GFCI LIGHT CONTROLS/BLANK FACE



1HP-5HP Panel Part Numbers with Pricing can be found sequential on pages 44-47

Light Part Numbers with Pricing can be found sequential on pages 49-51

**NEW PANEL DESIGN  
JANUARY 2020 (60Hz)**

*Use for Reference Purposes Only*

**SINGLE PHASE PCC**

Illustration is a 230V 1Ph Panel with Low Voltage Light Controls, Refer to Three Phase PCC Illustration when needed.

Optional 24HR Mechanical Timer Available - P/N 12-0116M (Replaces 12-0116)

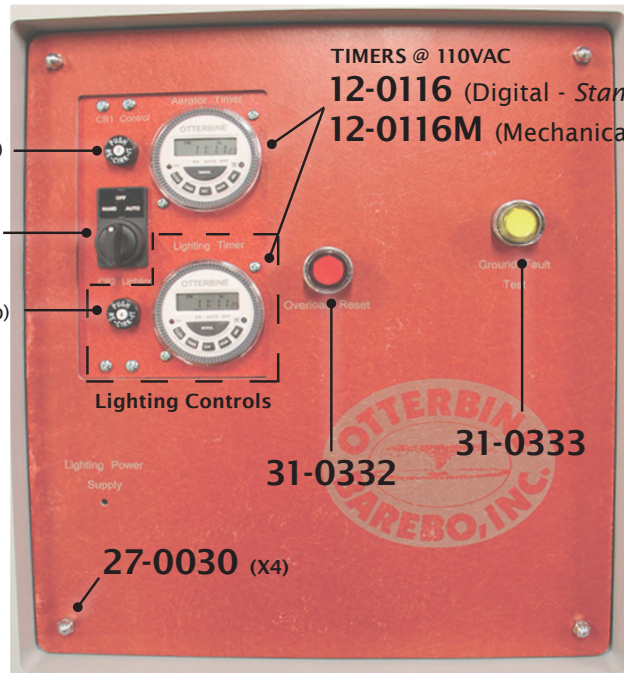
Parts vary in size and shape depending on voltage and phase. Mounting hardware is not called out in illustration.

*Additional Resources for Panels can be found on Otterbine's Distributor Dashboard.*

31-0324-020 (2amp)

31-0329

31-0324-040 (4amp)



TIMERS @ 110VAC

12-0116 (Digital - Standard)

12-0116M (Mechanical)

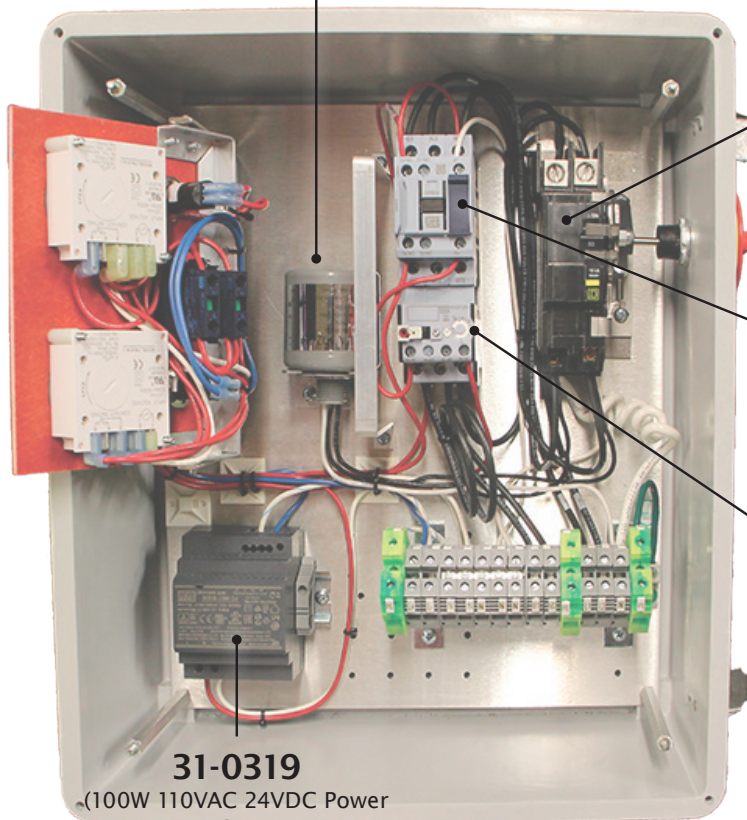
Lighting Controls

31-0332

31-0333

27-0030 (X4)

HP-1505 (1PH)



31-0319

(100W 110VAC 24VDC Power Supply for Lights)

**SQUARE D GFCI BREAKER 1PH**

31-0049-130 = 1HP 115V

31-0049-220 = 1HP 230V

31-0049-230 = 2HP 230V

= 3HP 230V

31-0049-250 = 5HP 230V

**CONTACTOR 120VAC**

31-0317-25 = 1HP 115V

31-0317-12 = 1HP 230V

31-0317-25 = 2HP 230V

= 3HP 230V

31-0317-32 = 5HP 230V

**OVERLOAD**

31-0318-23 = 1HP 115V

31-0318-10 = 1HP 230V

31-0318-17 = 2HP 230V

= 3HP 230V

31-0318-32 = 5HP 230V

1HP-5HP Panel Part Numbers with Pricing can be found sequential on pages 44-47  
 Light Part Numbers with Pricing can be found sequential on pages 49-51

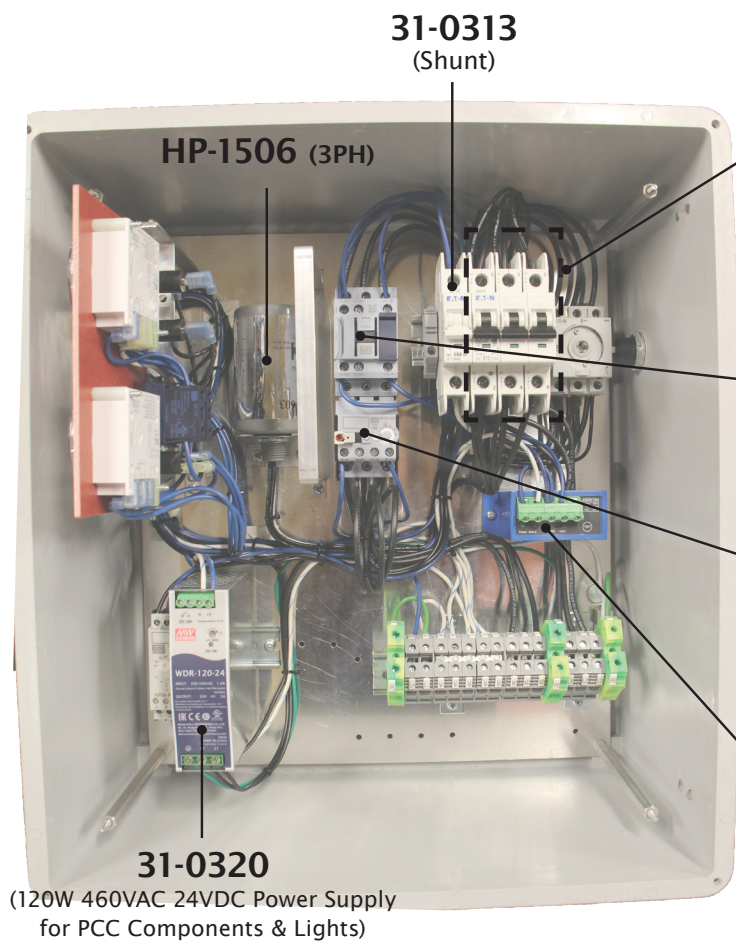
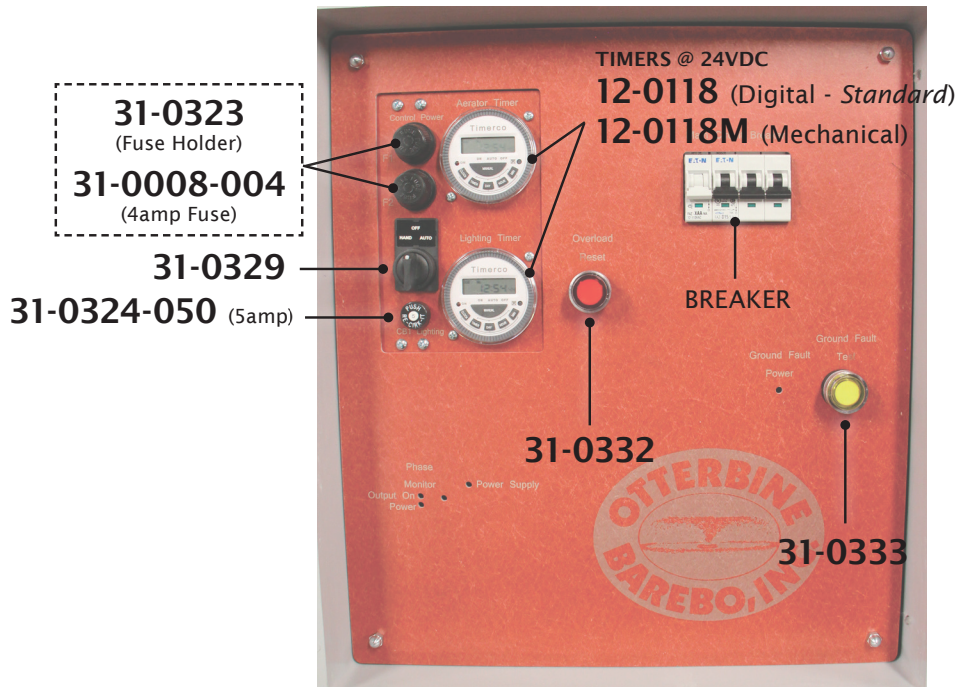
**NEW PANEL DESIGN  
 JANUARY 2020 (60Hz)**  
*Use for Reference Purposes Only*

**THREE PHASE PCC**  
 Illustration is a 230V 3Ph Panel with Low Voltage Light Controls, Refer to Single Phase PCC Illustration when needed.

Optional 24HR Mechanical Timer Available -  
 P/N 12-0118M  
 (Replaces 12-0118)

Parts vary in size and shape depending on voltage and phase. Mounting hardware is not called out in illustration.

*Additional Resources for Panels can be found on Otterbine's Distributor Dashboard.*



**EATON BREAKER 3PH**  
 31-0312-250 = 3HP 230V  
 31-0312-150 = 3HP 460V  
 31-0312-320 = 5HP 230V  
 31-0312-200 = 5HP 460V

**CONTACTOR 24VDC**  
 31-0316-18 = 3HP 230V  
 31-0316-09 = 3HP 460V  
 31-0316-25 = 5HP 230V  
 31-0316-09 = 5HP 460V

**OVERLOAD**  
 31-0318-12 = 3HP 230V  
 31-0318-06 = 3HP 460V  
 31-0318-17 = 5HP 230V  
 31-0318-08 = 5HP 460V

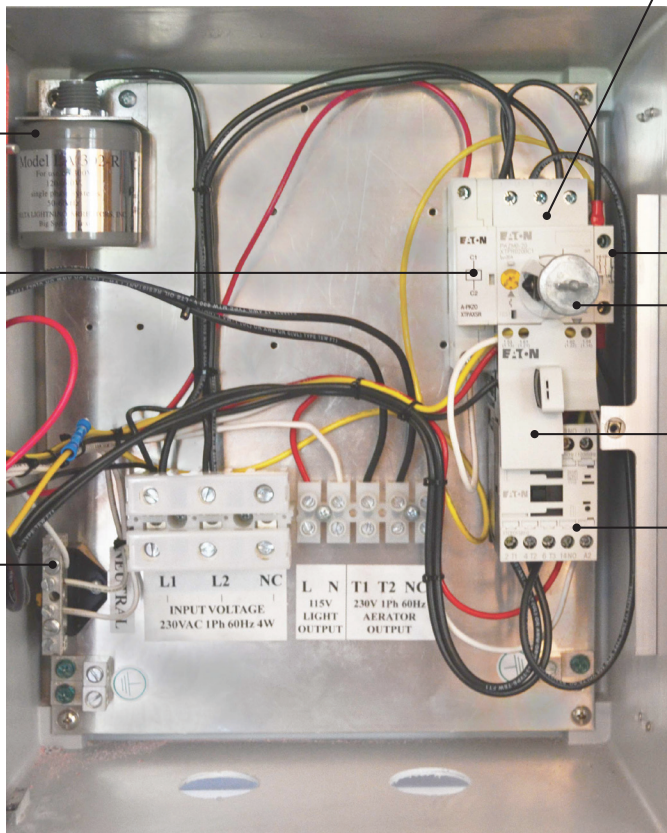
**31-0314 (GFCI Breaker Preset 24VDC)**

**PHASE MONITOR (NOT SHOWN)**  
 31-0334 (230V)  
 31-0335 (460V)

1HP-5HP Panel Part Numbers with Pricing can be found sequential on pages 44-47  
 Light Part Numbers with Pricing can be found sequential on pages 49-51

**PCC Design June 2011 - December 2019**  
 PCC's represented here are old style PCC's, Otterbine redesigned the 1HP-5HP PCC in 2020

HP1505 = 1Ph  
 HP1506 = 3Ph



31-0247

31-0246

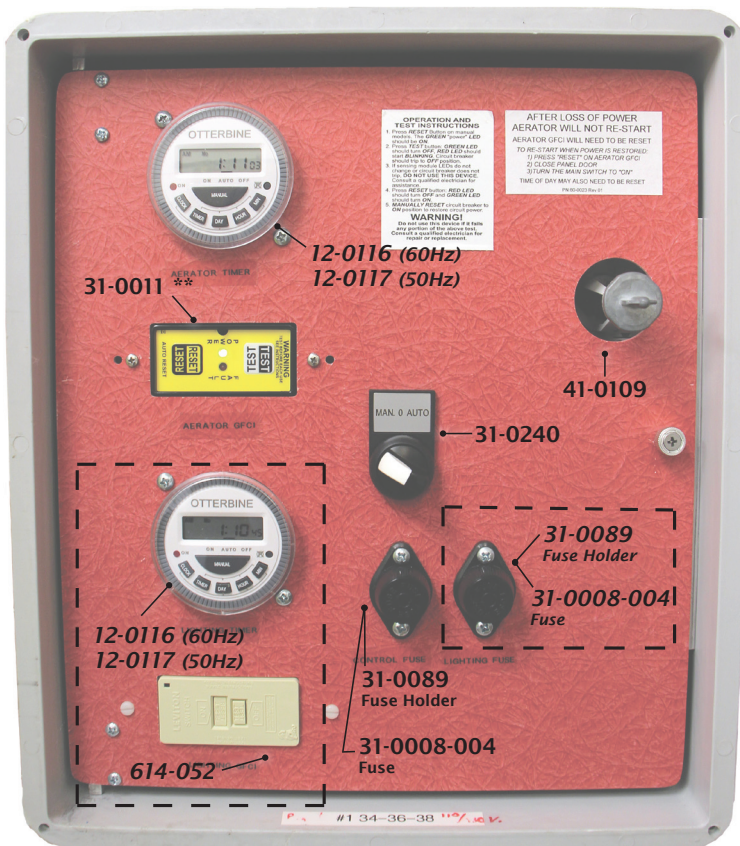
- 31-020X  
 X = 1 = 3HP 460V 3Ph  
 2 = 1HP 230V 1Ph  
 3HP 230V 3Ph  
 5HP 460V 3Ph  
 4 = 1HP 115V 1Ph  
 2HP 230V 1Ph  
 3HP 230V 1Ph  
 5HP 230V 3Ph  
 6 = 5HP 230V 1Ph

31-0245

41-0109

31-0242  
 Exception: 5HP 1Ph = 31-0243

- 31-022X  
 X = 0 = 3HP 460V 3Ph  
 1 = 1HP 230V 1Ph  
 5HP 460V 3Ph  
 2 = 3HP 230V 3Ph  
 3 = 1HP 115V 1Ph  
 2HP 230V 1Ph  
 3HP 230V 1Ph  
 5HP 230V 3Ph  
 4 = 5HP 230V 1Ph



31-0011

12-0116 (60Hz)  
 12-0117 (50Hz)

41-0109

31-0240

31-0089  
 Fuse Holder

31-0008-004  
 Fuse

31-0089  
 Fuse Holder

31-0008-004  
 Fuse

12-0116 (60Hz)  
 12-0117 (50Hz)

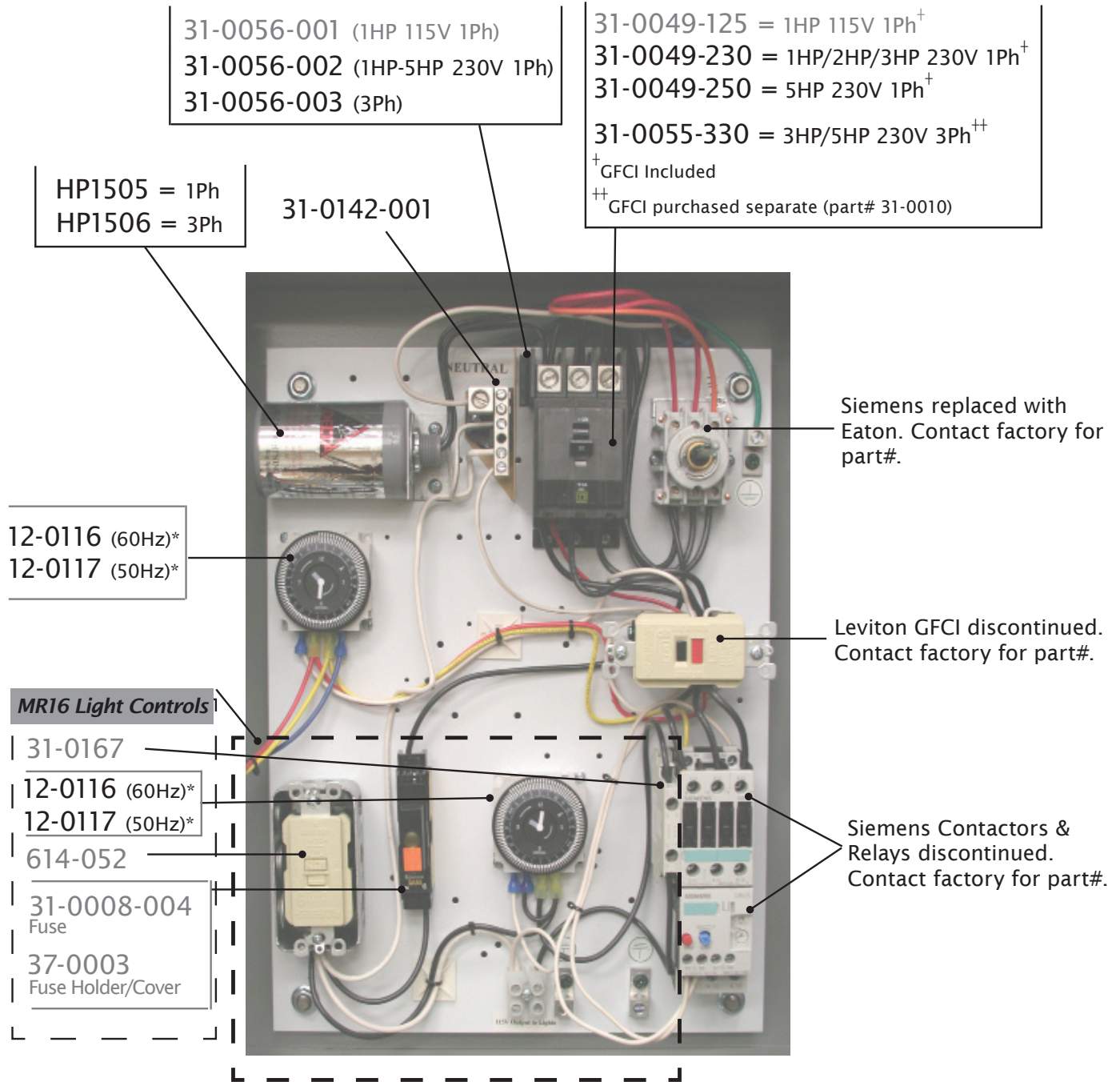
614-052

**NOTES:**  
 \*Use for Reference Purposes Only\*  
 Illustration is a 230V 1Ph with MR16 Light Controls  
 Part numbers shown are for 1HP-5HP units, 115V and 230V, both single and three phase in 60Hz.  
 MR16 Light Controls are italicized and inside the dashed boxes on illustration.  
 Additional Resources for Panels can be found on Otterbine's Distributor Dashboard.

**Hubbell GFCI** (part#31-0011) effective March 2014.  
 \*\* If replacing the GFCI with panels prior to March 2014, use part# 12-0079 GFCI Retrofit Kit (includes Hubbell GFCI, Shunt and Wire Harness)



1HP-5HP Panel Part Numbers with Pricing can be found sequential on pages 44-47  
 Light Part Numbers with Pricing can be found sequential on pages 49-51



**NOTES: Use for Reference Purposes Only (prior to June 2011)\*\***  
 Illustration is a 230V 3Ph Large Panel with MR16 Light Controls

Part numbers shown are for 1HP-5HP units, 115V and 230V, both single and three phase in 60Hz.

\*Effective in 2015, mechanical timers replaced with 7-day digital timers.

\*\*Parts vary in size and shape depending on voltage and phase.  
 Mounting hardware is not called out in illustration.

Additional Resources for Panels can be found on Otterbine's Distributor Dashboard.

## AIR FLO 2 PARTS

**AIR FLO 2 PARTS**

Discontinued Product

Contact factory for exploded view drawings

Part Number	Description
10-0002	PIPE MANIFOLD ASSY 4 DOME AF2
10-0043	PIPE MANIFOLD ASSY 1 DOME AF2
10-0044	PIPE MANIFOLD ASSY 2 DOME AF2
10-0070	DIFFUSER STONE 9" AIRFLO
10-0071	PIPE MANIFOLD ASSY 6 STONE AF2
10-0072	DIFFUSER MANIFOLD ASSY 6 STONE
12-0017	SERVICE KIT,COMPRESSOR AIRFLO2
22-0028	BOLT HEX S/S 1/4-20x4 5
22-0035	BOLT CARRIAGE ZNC 5/16-18x5.5"
24-0007*10	SCREW S/S SLTD 1/4-20x 5 QTY10
24-0021	SCREW CHEESE HD PHIL S/S M5x20
24-0025	SCREW PAN PH EXT WSH S/S M4x12
24-0032	SCREW CHEESE HD SLOT S/S M3x25
24-0033	SCREW PAN PH EXT WASH S/S M3x8
26-0012	NUT M3 KEPS EXTERNAL WASHER
26-0013	NUT M4 KEPS EXTERNAL WASHER
26-0014	NUT M5 KEPS EXTERNAL WASHER
28-0002	WASHER FLAT S/S 7/8"
28-0025	WASHER M5 S/S FENDER
29-0007	NYLON WASHER IMPELLER FRAC SER
33-0043	CONNECTOR RING 16-14AWG #8STUD
33-0044	CONNECTOR RING 16-14AWG#10STUD
33-0045	CONNECTOR FEMALE 16-14AWG 1/4"
40-0075	SCREEN S/S BLOWER 5"x4" AFII
41-0128	BARRIER STONE DIFF MANIFOLD
41-0132	STANDOFF PVC AIRFLO DIFF MAN
41-0153	CABINET BASE, PLASTIC AIRFLO 2
46-0003	FILTER AIR AIRFLO 2
46-0046	PLUG, AIRFLO 2 DIFFUSER BASE
46-0089	TAPE, HIGH BOND FOAM, AIRFLO2
46-0130	CLAMP AIRFLO DIFFUSER MANIFOLD
46-0143	KNOB 1/4-20" THREAD AIRFLO 2
49-0040-023	SEAL TRIM MOLDING 23" AIRFLO 2
49-0040-038	SEAL TRIM MOLDING 38" AIRFLO 2
56-0003-002	VANES/GASKET KIT 3/4HP COMP AF
65-0004	ELBOW 3/4PVCx3/4"FEM NPT SCH40
65-0044	ADAPTOR PVC 3/4"NPTx1/2"BARB
65-0045	VALVE CHECK 3/4"FNPT AIRFLO
67-0023	CONNECTOR 90-3/8TUBINGX3/8NPT





# About OTTERBINE

Otterbine-Barebo’s passion and true calling in this world is creating beautiful, clean and sustainable waterways. When you choose an Otterbine product, you choose a family owned company and a team we like to call “The Folks at Otterbine,” and that team takes great pride in producing high quality products that make the world a better place through sustainable, clean water.

VISIT THE DISTRIBUTOR DASHBOARD ONLINE FOR A COLLECTION OF RESOURCES OR CONTACT US DIRECT!

## SALES TOOLS

We offer a wide range of sales presentations, tools, incentives and programs to help make products more profitable and easier to sell. We’re only a phone call, email or chat away, and happy to assist you at any time.

## MARKETING TOOLS

Here to help with all of your marketing needs, from creative inspiration to developing and implementing a marketing strategy - contact us to see how easy it is.

## CONSULTATION AND DESIGN

Take advantage of our 35+ years serving the pond and lake industry. Whether the customer is in need of pond aeration or creating a dramatic water feature in center city--we have the people and expertise to help educate, specify and source the best there is to offer; need help in system design - we’re just a phone call away!



## OTTERBINE® BAREBO, INC.

3840 Main Road East, Emmaus, PA 18049, U.S.A.

PHONE: 1-800-AER8TER (USA) or 610-965-6018

EMAIL: [orders@otterbine.com](mailto:orders@otterbine.com) • FAX: 484-550-6677

WEB: [www.otterbine.com](http://www.otterbine.com)

### Otterbine Core Values

core value *n.* belief that guides a firm’s actions, unites its employees, and defines its brand.

F	A	M	I	L	Y
FAIR	ATTITUDE	MORALLY SQUARE	IDEAS	LOYAL	YIPPEE
Treat People Fairly	Have a “Can-Do” Attitude	Don’t Cut Corners	Be Open to New Ideas	Value Channel Partners, Friends & Family	Celebrate and Have Fun

